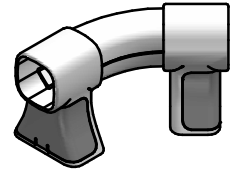
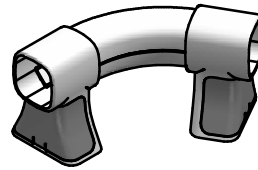
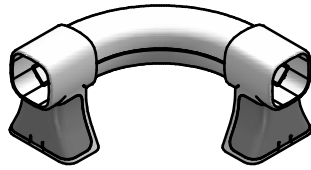
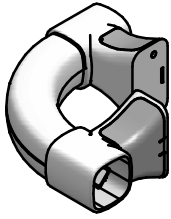


impey

DATASHEET



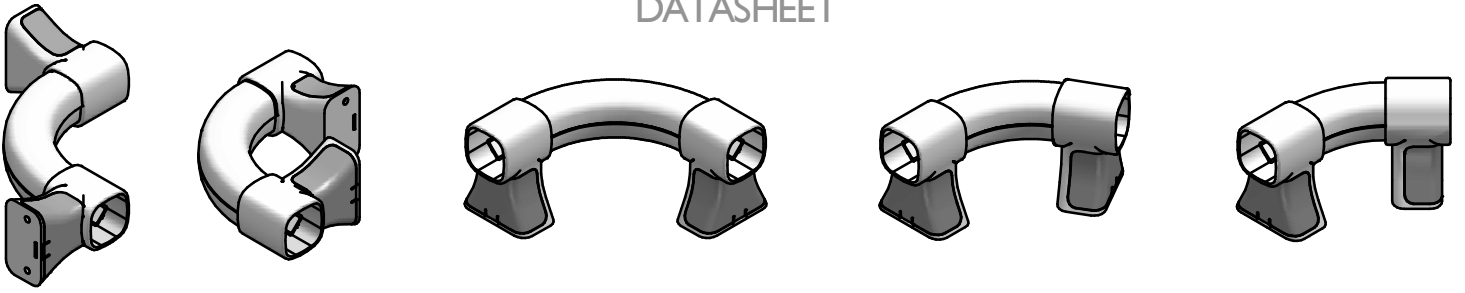
Technical Data

Product	Maxi Grip Hand Rail Adjustable Angle System
Impey Code and Description	IGA45W 45° Angle set with white covers to match Maxi Grip IGA90W 90° Angle set with white covers to match Maxi Grip IGA45G 45° Angle set Grey Covers to match Maxi Grip Plus IGA90G 90° Angle set Grey Covers to match Maxi Grip Plus
Details	Adjustable Angle set can be used for: trimming to form Angles 90° 60° 45° 30° INTERNAL AND EXTERNAL corners
Material / Construction	2 Signal White ABS mouldings with internal bulkheads to aid cutting set at prescribed angles 60° 45° 30° 2 White PVC , Angle set to Hand Rail , joiner mouldings with either 2 Grey(G) or White(W) snap fit caps
Special Features	Can be rotated to manage internal and external corners, can be trimmed to make various angles on a flat wall, internal bulkheads guide blades to correct cutting angles. For use with Maxi Grip Plus and Maxi Grip. Comprehensive instructions. Patented design.
Installation	Maxi Grip can support loads up to 120kg (refers to handrails only not fixings) Use appropriate fixings for mounting situation, 4 required, fixings not supplied Requires 5mm hex key for assembly

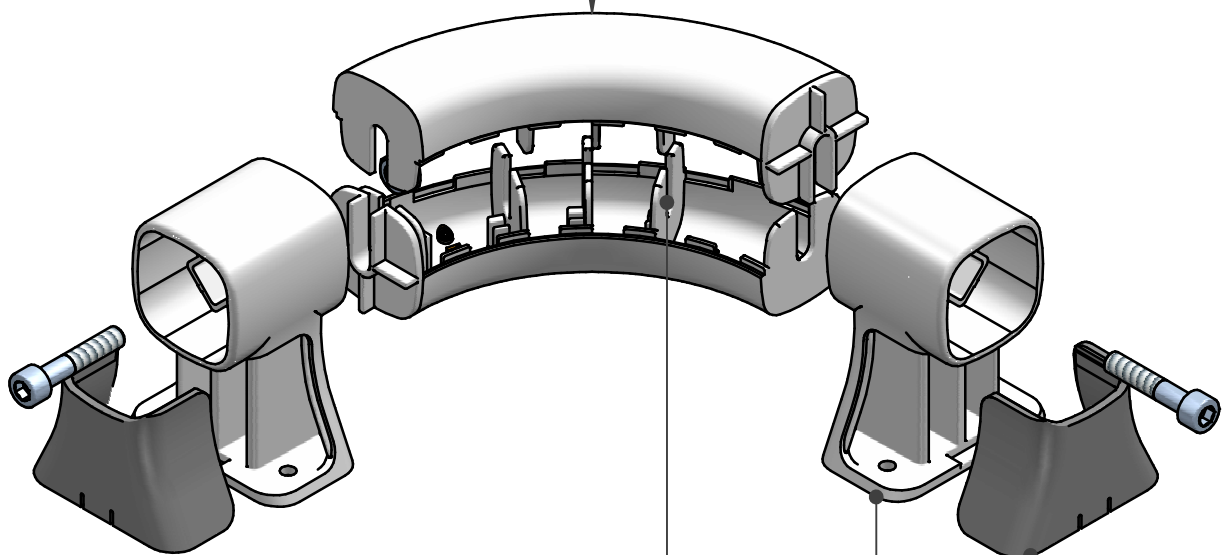
Impey Showers Ltd reserves the right to change the design of specification without prior notice. All values are approximate.
Impey Showers Ltd, info@impeyshowers.com t.01460 260080 f.01460 259800 www.impeyshowers.com

impey

DATASHEET



Patented mouldings can be rotated or trimmed for
Internal and External corners
90 60 45 and 30 degree arrangements



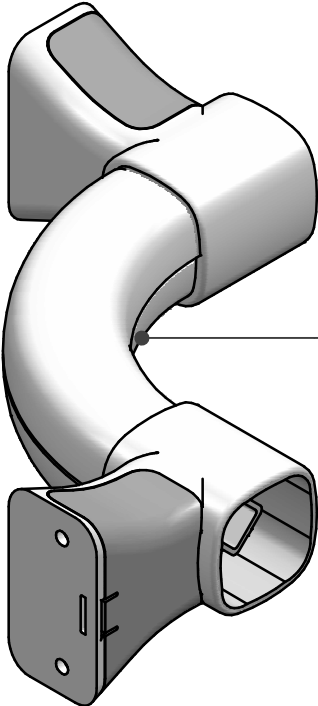
Internal Bulkheads to aid Trimming

White End mouldings to fit
Maxi Grip and Maxi grip Plus

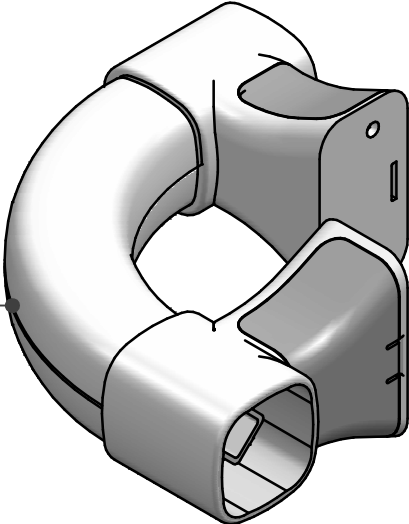
White or Grey snap fit caps

impey

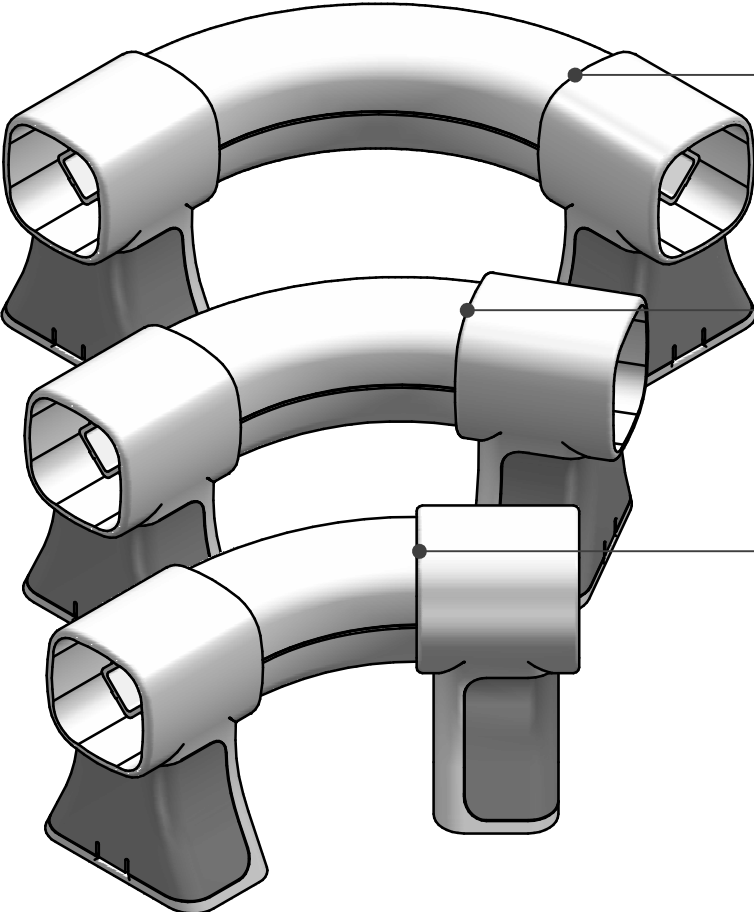
DATASHEET



INTERNAL CORNER SET UP



EXTERNAL CORNER SET UP



90° SET UP

60° SET UP

45° SET UP