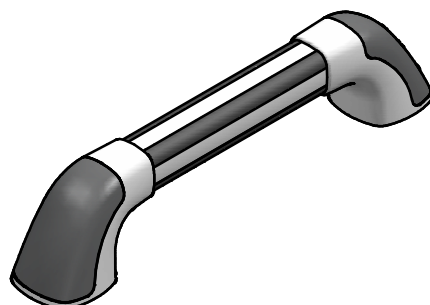


DATASHEET Technical Data

Product	Maxi Grip Hand Rail Adjustable Angle System
Impey Code and Description	IGA45W 45° Angle set with white covers to match Maxi Grip IGA90W 90° Angle set with white covers to match Maxi Grip IGA45G 45° Angle set Grey Covers to match Maxi Grip Plus IGA90G 90° Angle set Grey Covers to match Maxi Grip Plus
Details	Adjustable Angle set can be used for: trimming to form Angles 90° 60° 45° 30° INTERNAL AND EXTERNAL corners
Material / Construction	2 Signal White ABS mouldings with internal bulkheads to aid cutting set at prescribed angles 60° 45° 30° 2 White PVC , Angle set to Hand Rail, joiner mouldings with either 2 Grey(G) or White(W) snap fit caps
Special Features	Can be rotated to manage internal and external corners, can be trimmed to make various angles on a flat wall, internal bulheads guide blades to correct cutting angles. For use with Maxi Grip Plus and Maxi Grip. Comprehensive instructions. Patented design.
Installation	Maxi Grip can support loads up to 120kg (refers to handrails only not fixings) Use appropriate fixings for mounting situation, fixings not supplied

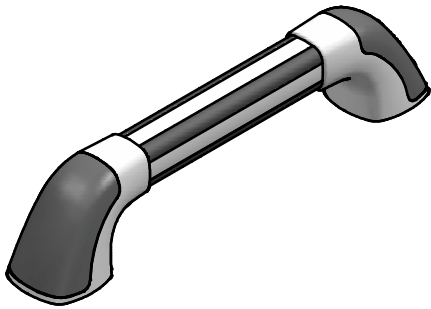
Impey Showers Ltd reserves the right to change the design of specification without prior notice. All values are approximate.

Impey Showers Ltd, info@impeyshowers.com t.01460 260080 f.01460 259800 www.impeyshowers.com



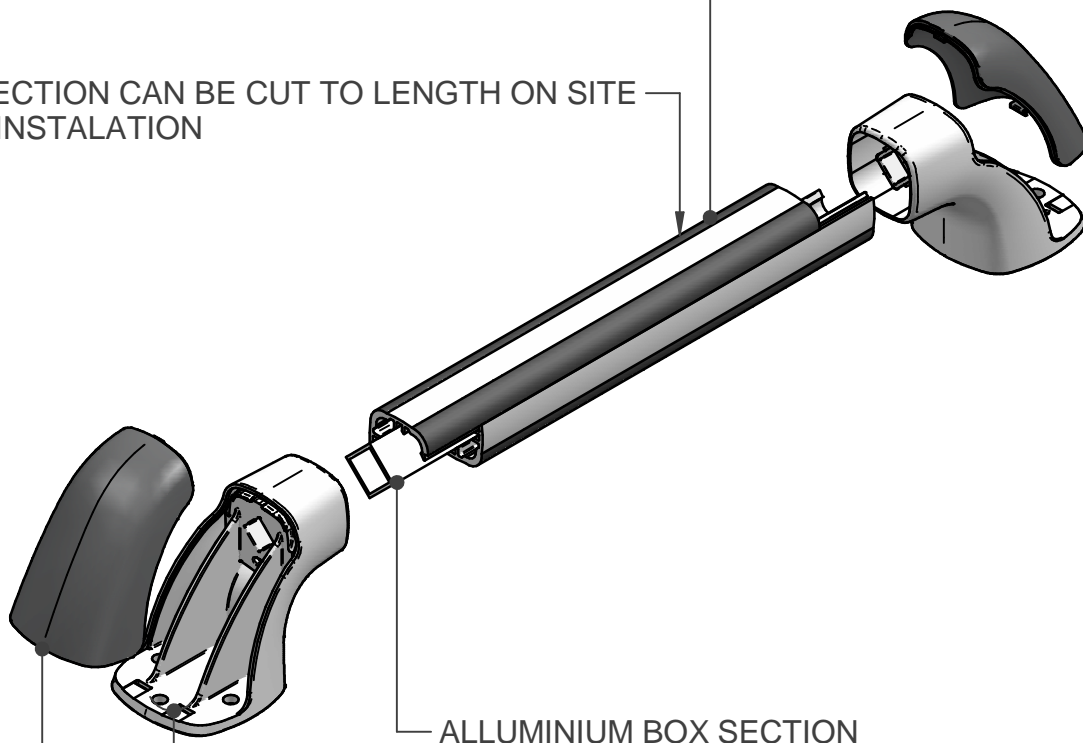
impey

DATASHEET



PVC CO EXTRUDED SQUARE SECTION GRABRAIL
MOULDED IN 2 HALVES FOR DIMENSIONAL
AND TOLLERANCE CONTROL
PATENTED MANUFACTURE / DESIGN

HANDLE SECTION CAN BE CUT TO LENGTH ON SITE
PRIOR TO INSTALATION



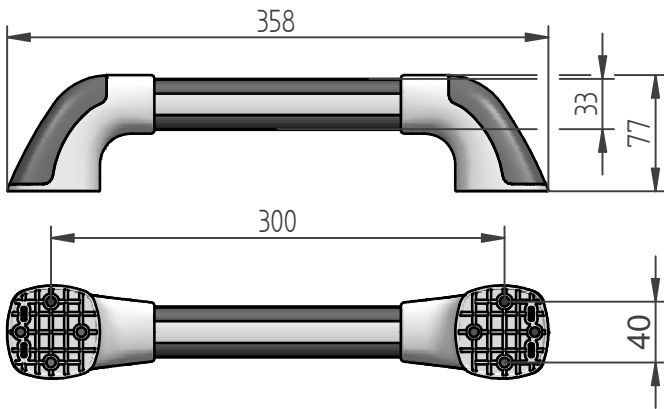
ALLUMINIUM BOX SECTION

WHITE ABS END MOULDINGS
4 STRENGTHENED MOUNTING HOLES
STRUCTURAL RIBBED BASE

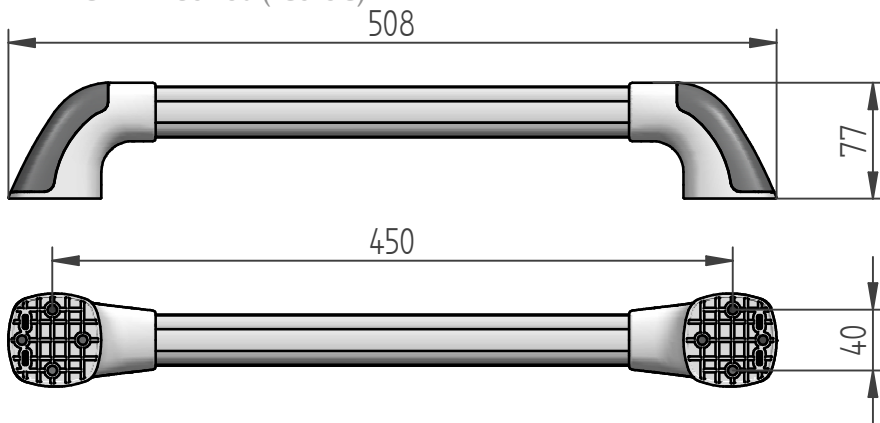
GREY SNAP FIT ABS COVERS

DATASHEET

MAXI GRIP PLUS 300 (IGS30G)



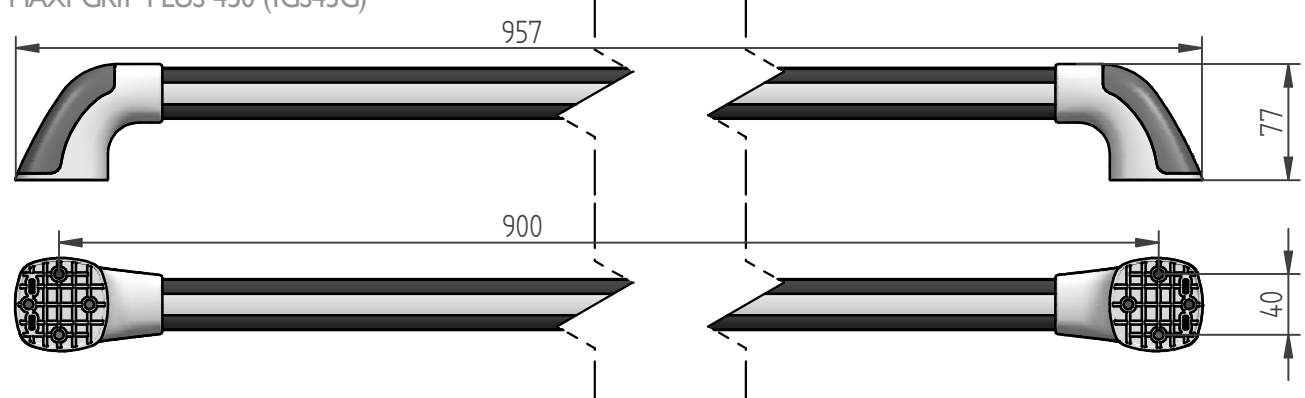
MAXI GRIP PLUS 450 (IGS45G)



MAXI GRIP PLUS 600 (IGS60G)



MAXI GRIP PLUS 450 (IGS45G)





DATASHEET