

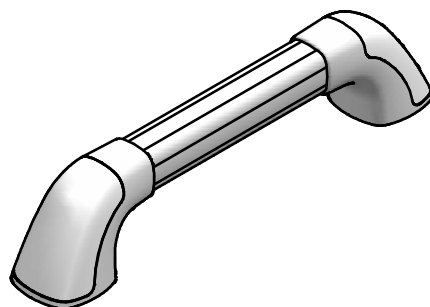
DATASHEET

Technical Data

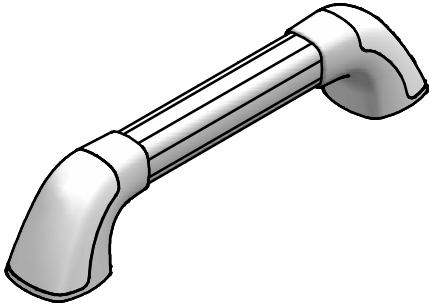
Product	Maxi Grip Hand Rail System
Lengths	300mm 450mm 600mm 900mm
Material / Construction	Signal White ABS handle ends. Co Extruded White PVC handle with integrated aluminium box section structural beam
Options	300mm to 900mm (see also Maxi Grip Plus IGS -- G as an alternative)
Special Features	Square section profile helps grip by resisting rotation Sold in 900mm lengths but can be cut and adapted to any size, prior to installation Any Maxi Grip can be used with the patented Adjustment Angle set to form internal or external corners , and angles 90° 60° 45° 30° on a wall. Maxi Grip can support loads up to 120kg (refers to handrails only not fixings)
Installation	Suitable for indoor use, in any room, particularly the bathroom . Comprehensive installation instructions supplied. Appropriate wall fixings to be provided by the installer. Can be adapted/cut on site to fit. Length and join angles (when used with Adjustable Angle set) can be adapted to fit various situations.

Impey Showers Ltd reserves the right to change the design of specification without prior notice. All values are approximate.

Impey Showers Ltd, info@impeyshowers.com t.01460 260080 f.01460 259800 www.impeyshowers.com

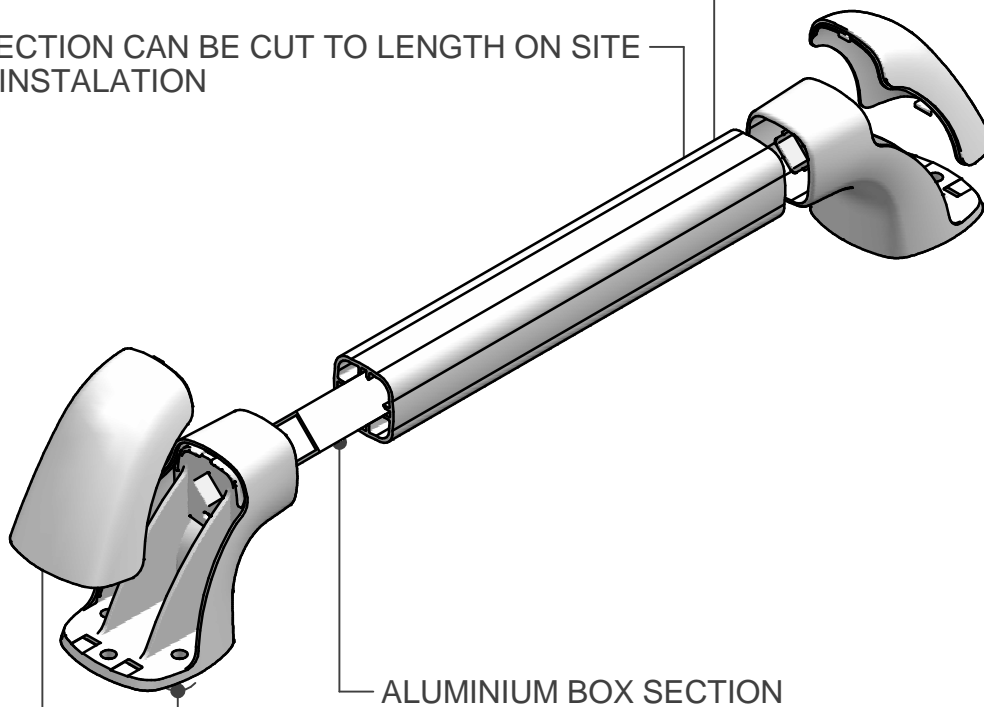


DATASHEET



PVC EXTRUDED SQUARE SECTION GRABRAIL

HANDLE SECTION CAN BE CUT TO LENGTH ON SITE
PRIOR TO INSTALATION



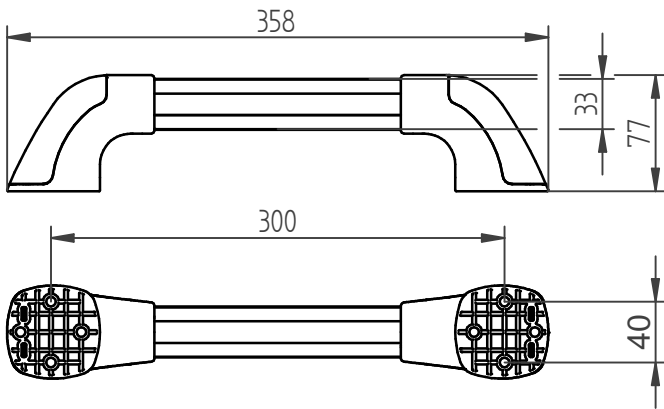
ALUMINIUM BOX SECTION

WHITE ABS END MOULDINGS
4 STRENGTHENED MOUNTING HOLES
STRUCTURAL RIBBED BASE

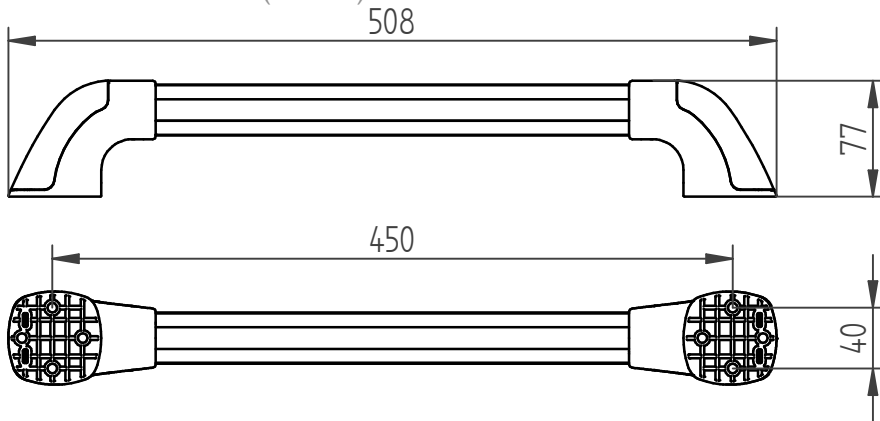
WHITE SNAP FIT ABS COVERS

DATASHEET

MAXI GRIP PLUS 300 (IGS30G)



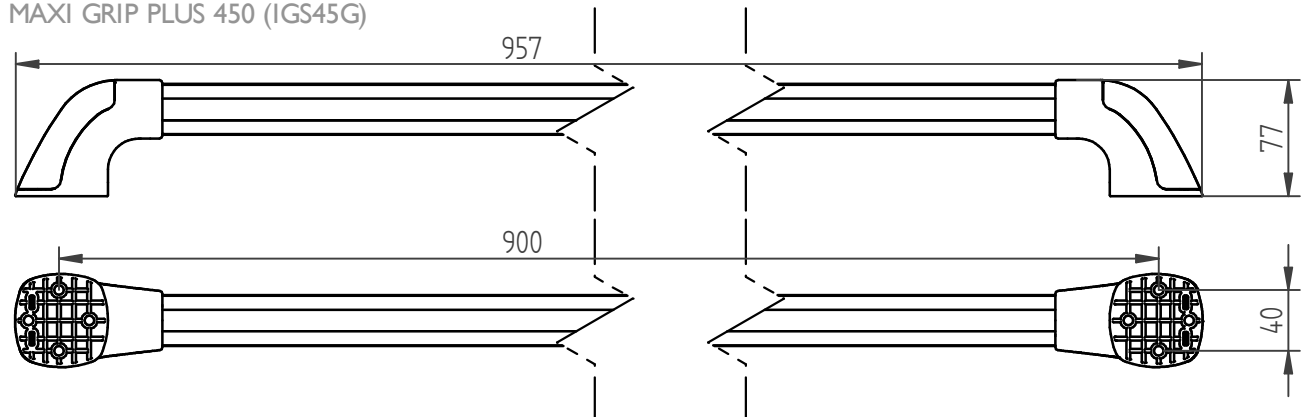
MAXI GRIP PLUS 450 (IGS45G)



MAXI GRIP PLUS 600 (IGS60G)



MAXI GRIP PLUS 450 (IGS45G)





DATASHEET