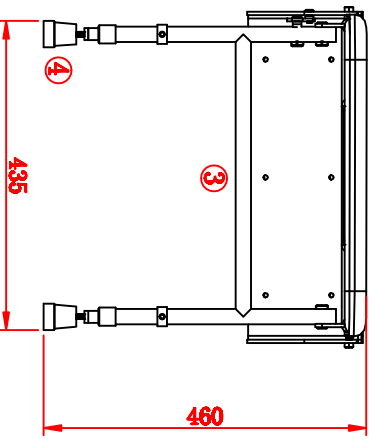
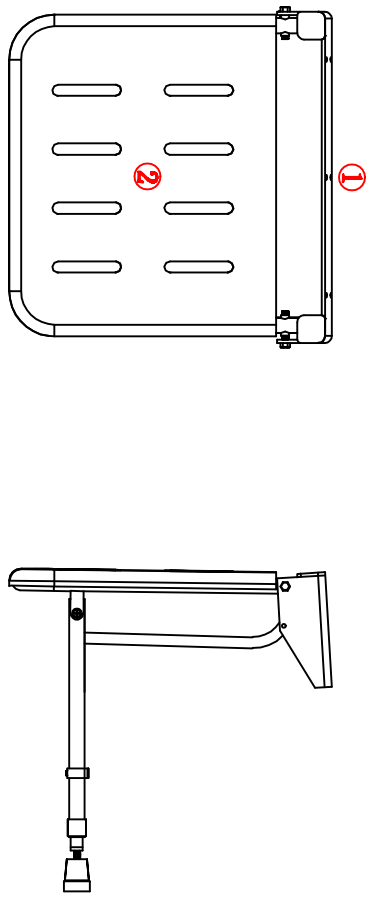


REV.	ECN. NO.	APPD.



Item Name	Material	Spec. (mm)
1	Alu. Board	597*160*6
2	ABS Back	330*65*40
3	Main Frame	Aluminium Tube 470*465*410
4	End Cover	Rubber ø18*50
Treatment		Power Coating

.X± 0.2	X°± 1°	UNITS	mm
X.± 0.3	.X°±	MAT'L	
XX.± 0.5	.XX°±	FINISH	*****
XXX.± 1.0	.XXX°±	Q'TY	

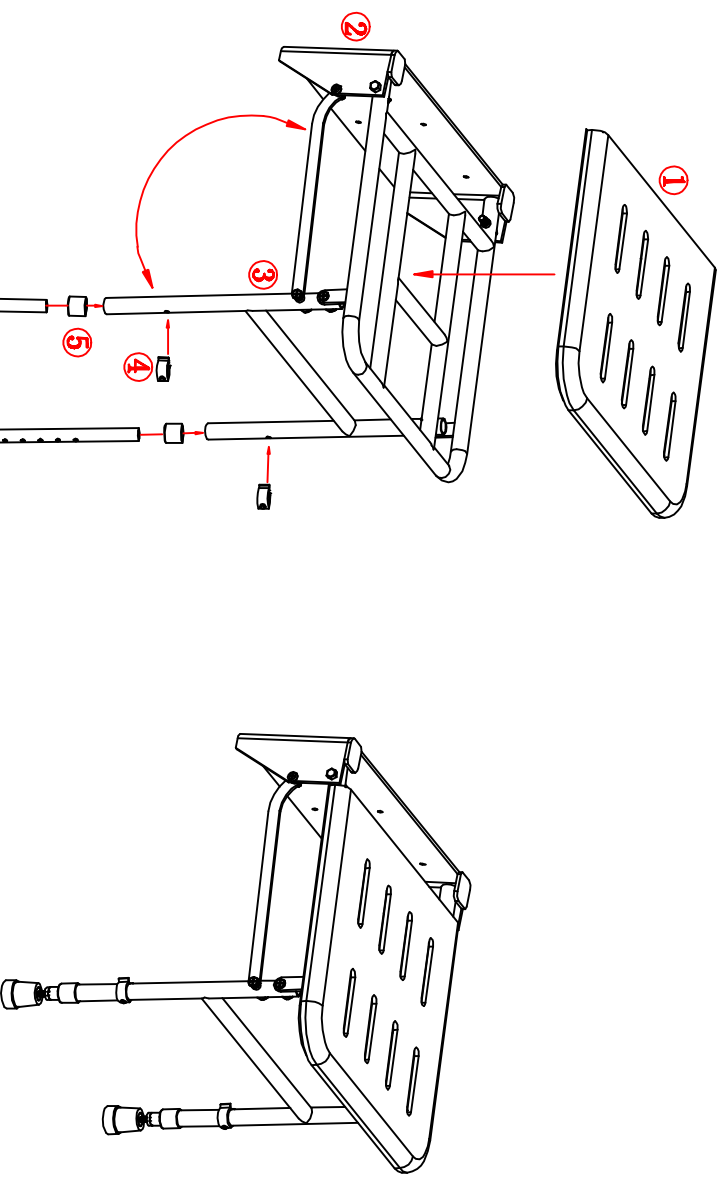
NAME:(INTENDED USE)		TITLE:
Solo Standard Shower Seat		
PART NO.(INTENDED USE)		DWG NO.:
V/B532		
APPD:		SCALE SHEET
CHKD:		
DR:	DZM	REV.

aidapt[®]

DV/2009-08-01/242

THESE DRAWINGS AND SPECIFICATIONS ARE THE PROPERTY OF HONG ZHUN PRECISION TOOLING (SHEN ZHEN) CO.,LTD AND SHALL NOT BE REPRODUCED, COPIED OR USED IN ANY MANNER WITHOUT THE PRIOR WRITTEN CONSENT OF HONG ZHUN PRECISION TOOLING (SHEN ZHEN) CO.,LTD.

REV. ECN. NO.		APPD.



Item Name	Qty.
1 ABS Back	1pcs/ea
2 Alu. Board	1pcs/ea
3 Main Frame	1pcs/ea
4 "R" Clip	2pcs/ea
5 Ext. End Cover	2pcs/ea
6 Extension Leg	2pcs/ea
7 Plastic Screw	2pcs/ea
8 End Cover	2pcs/ea

.X± 0.2	X°± 1°	UNITS	mm	NAME:(INTENDED USE)	VB532 Part List			aidapt®
X.± 0.3	.X°±	MAT'L		PART NO.:(INTENDED USE)	TITLE:			
XX.±0.5	.XX°±	FINISH	*****	APPD:	DWG NO.:			
XXX.± 1.0	.XXX°±	Q'TY		CHKD:	DV/2009-08-01/241			
<small>THESE DRAWINGS AND SPECIFICATIONS ARE THE PROPERTY OF HONG ZHUN PRECISION TOOLING (SHEN ZHEN) CO.,LTD AND SHALL NOT BE REPRODUCED, COPIED OR USED IN ANY MANNER WITHOUT THE PRIOR WRITTEN PERMISSION OF HONG ZHUN PRECISION TOOLING (SHEN ZHEN) CO.,LTD.</small>				DR:	DZM	SCALE	SHEET	REV.

A B C D E F