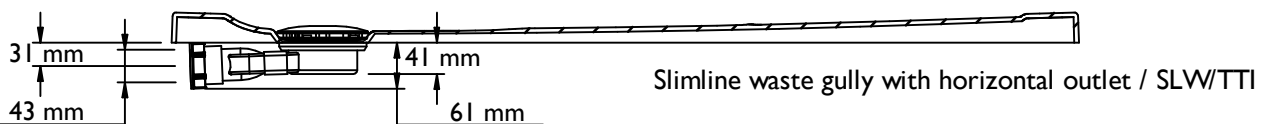
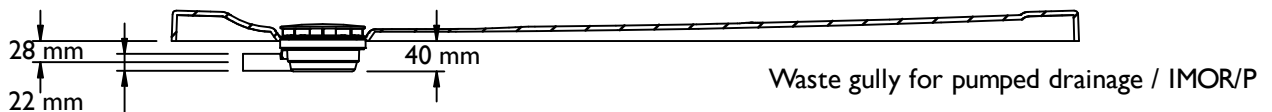
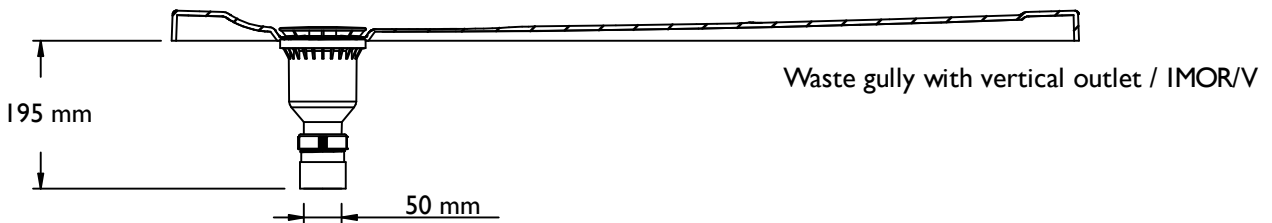
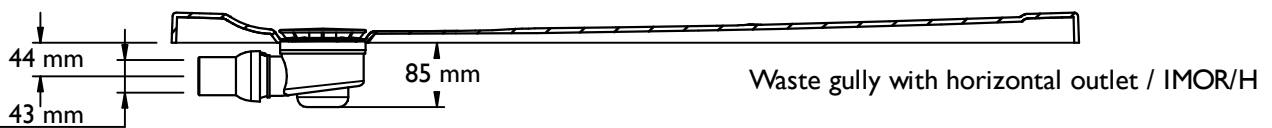
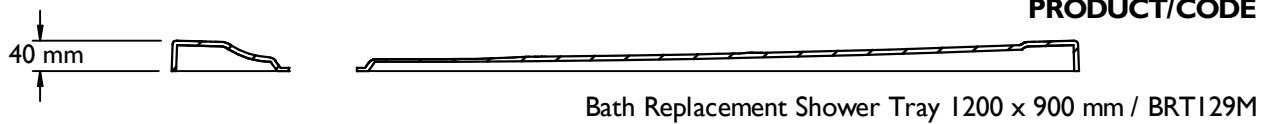
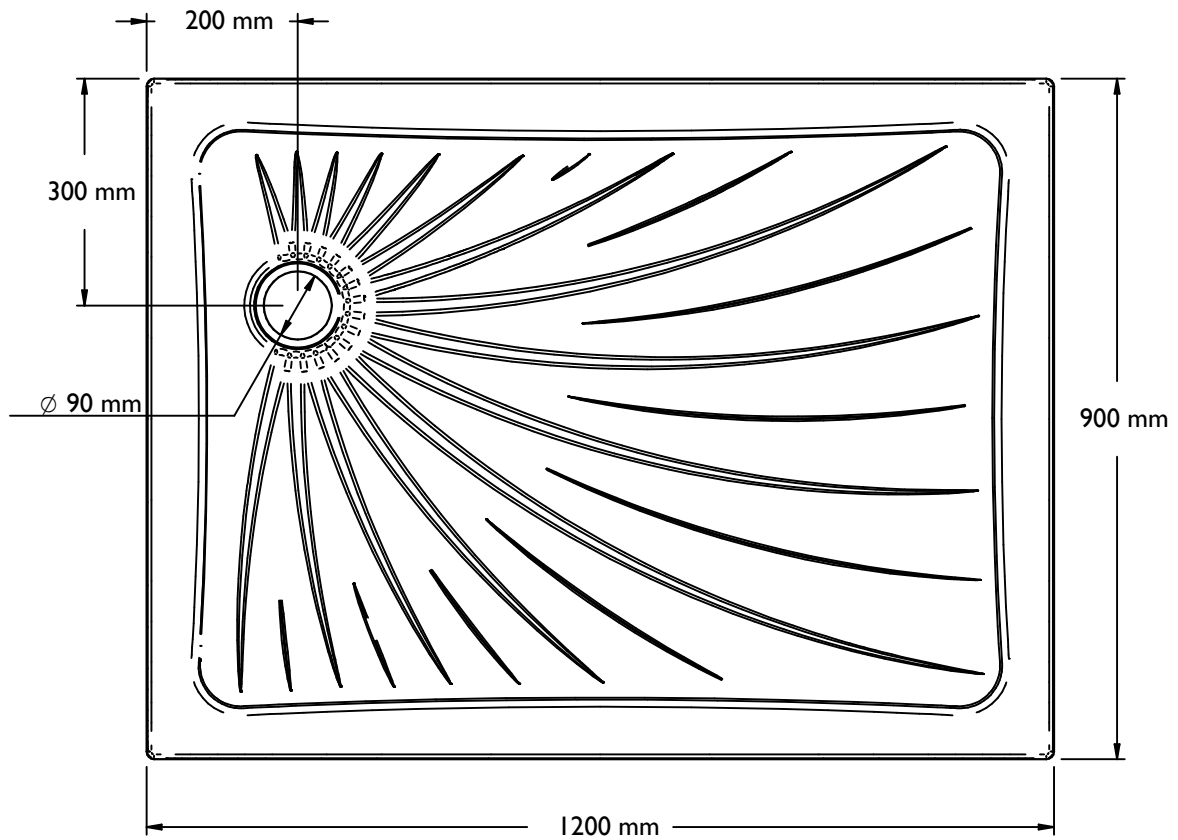


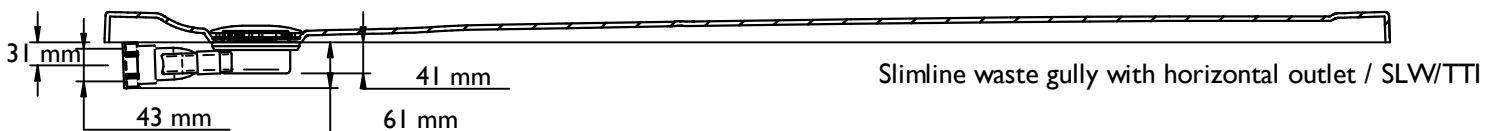
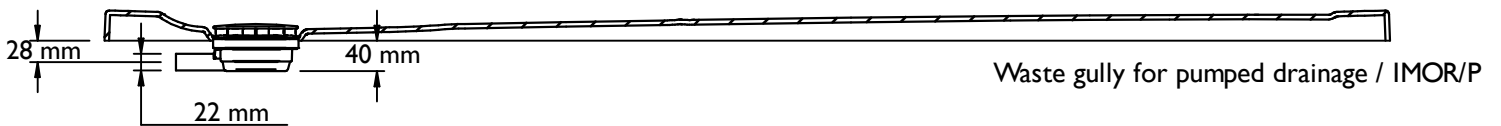
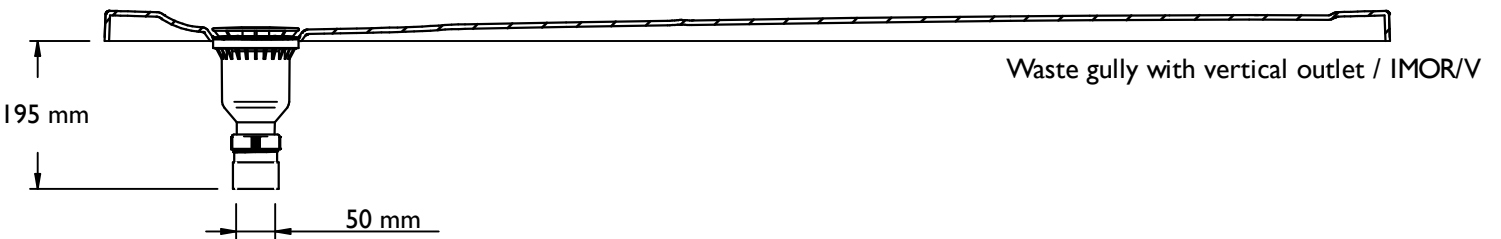
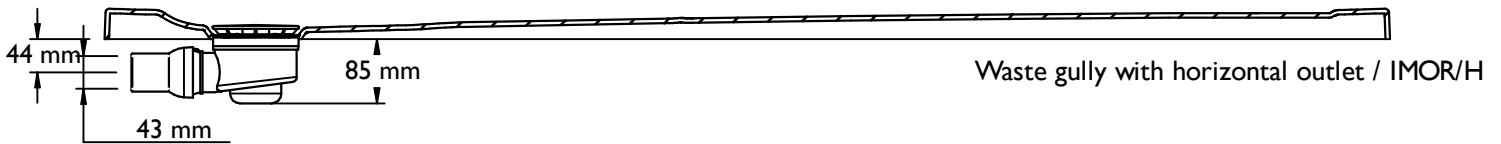
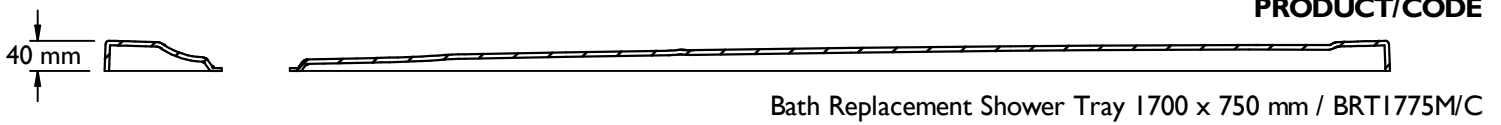
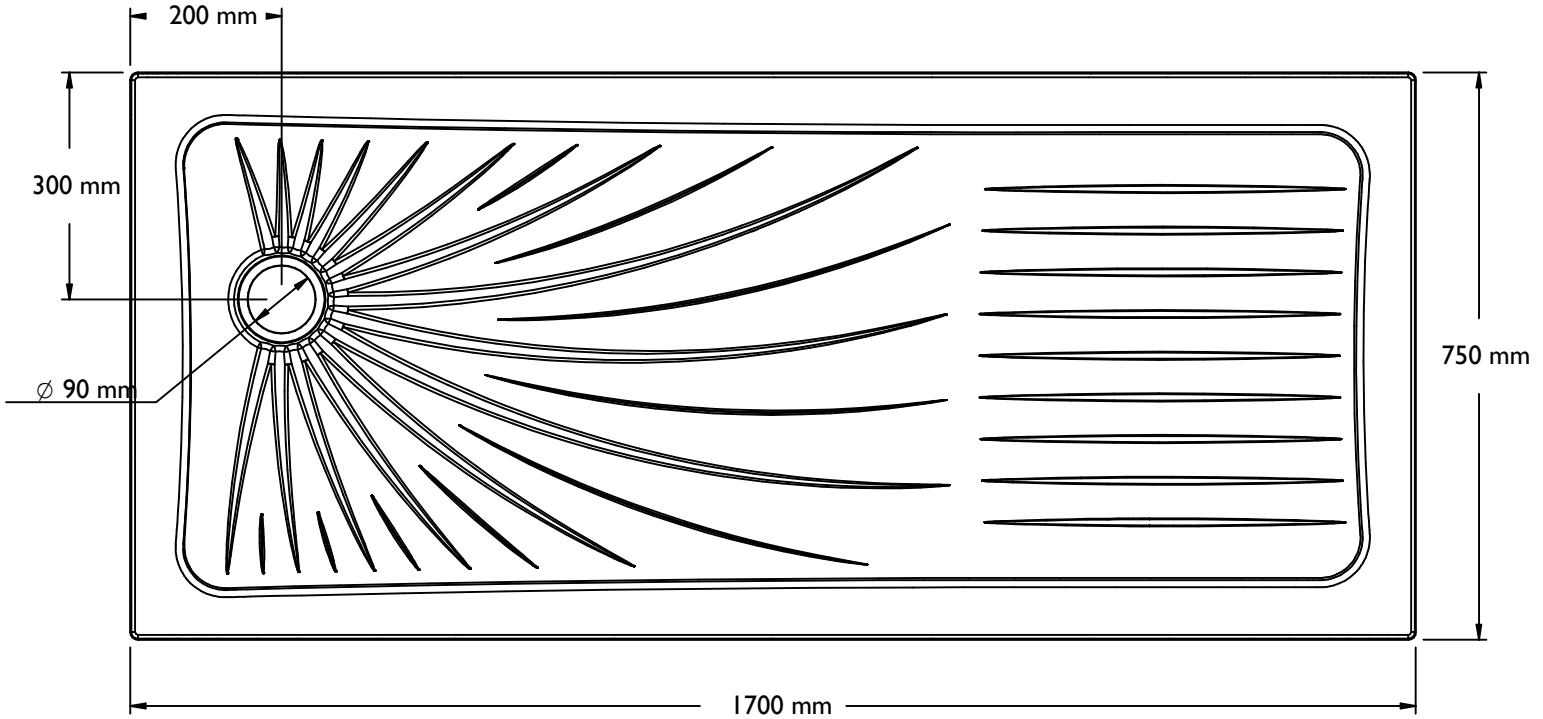
Bath Replacement Shower Tray Datasheet

Technical Data		
Tray height	All 40mm in height	
Handing	Universal (not handed)	
Waste outlet position	Multiple positions (see drawings)	
Trap Size	90mm aperture in tray	
Waste options	Shower tray can accept either gravity or pumped waste by selecting the correct trap or pump kit (pump kits available seperately)	
Sizes available	1200mm x 900mm, 1700mm x 750mm, 1700mm x 850mm	
Cut to length version BRT1775M/C (1700 x 750mm), BRT1785M/C (1700x 850mm)	Can be cut to length to suit wall to wall measurement. When cut to length the end caps (BRTM/EC75, BRTM/EC85) are required. Minimum achievable length of tray (including 135mm end cap) is 1220mm. Minimum cut length of tray is 1085mm.	
Construction	Multi layer GRP with durable polyester gelcoat upper surface	
Installation	We recommend bedding the tray on either tile adhesive or expanding foam to offer additional support to the shower tray base	
Standards	CE marked to EN 14527 Slip resistance to category B DIN 51097	
Supplied with	IMOR/H 90mm (43mm horizontal outlet) waste trap (50mm water seal), flexible waterproof self-adhesive tiling upstand (US12350)	
Available accessories	Access ramp kit RDRKIT200 (access ramp RDR200, right and left ramp end caps RDRERH, RDRELH), ramp corner section RDRCS, shower tray end caps (BRTM/EC75, BRTM/EC85)	
Waste trap options available from Impey	Shower tray can accept either gravity or pumped waste by selecting the correct trap or pump kit (pump kits available seperately)	
Flow rates (L/min, approx., measured using IMOR/H waste trap)	BRT129M	36.5
	BRT1775M/C	36.0
	BRT1785M/C	36.0
Weight (kg, approx.)	BRT129M	15.0
	BRT1775M/C	20.0
	BRT1785M/C	20.5

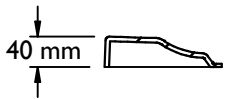
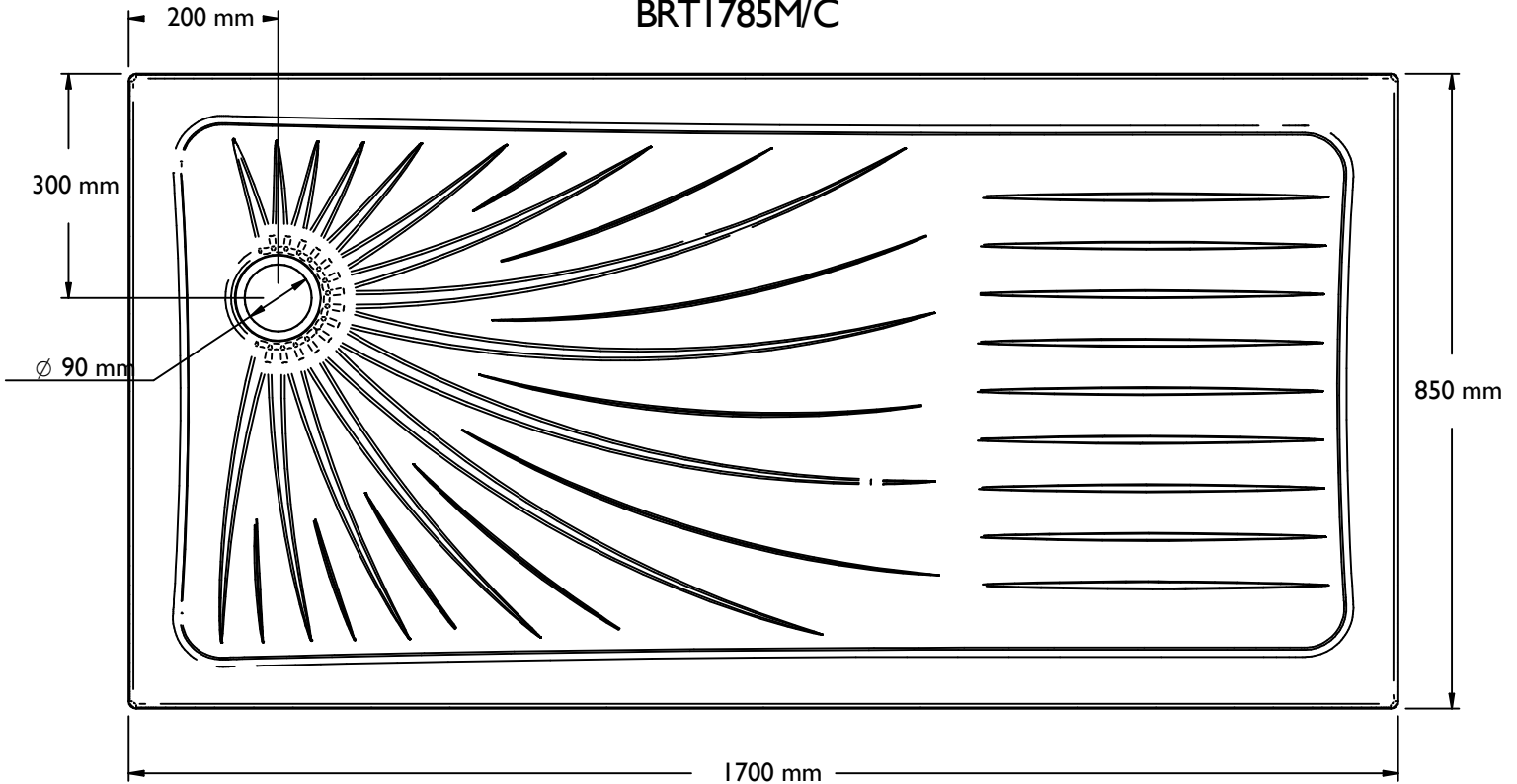
Bath Replacement Shower Tray 1200x900mm BRT129M



Bath Replacement Shower Tray 1700x750mm BRT1775M/C

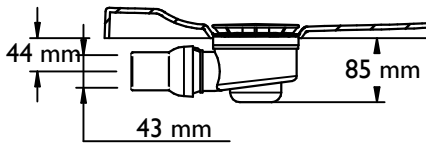


Bath Replacement Shower Tray 1700x850mm BRT1785M/C

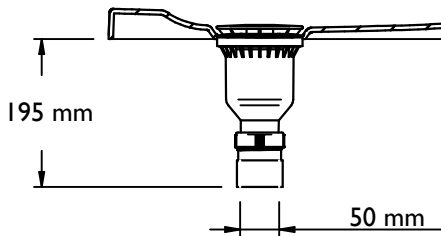


PRODUCT/CODE

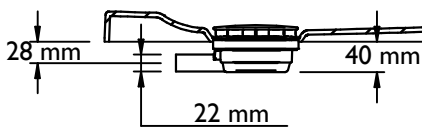
Bath Replacement Shower Tray 1700 x 850 mm / BRT1785M/C



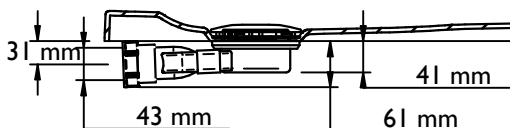
Waste gully with horizontal outlet / IMOR/H



Waste gully with vertical outlet / IMOR/V



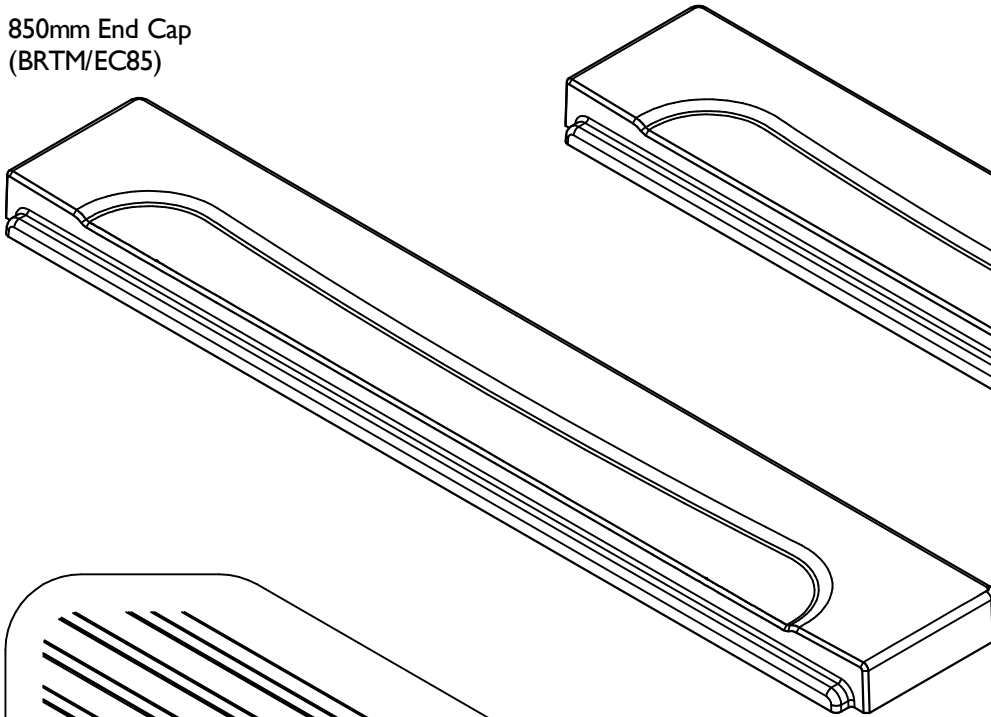
Waste gully for pumped drainage / IMOR/P



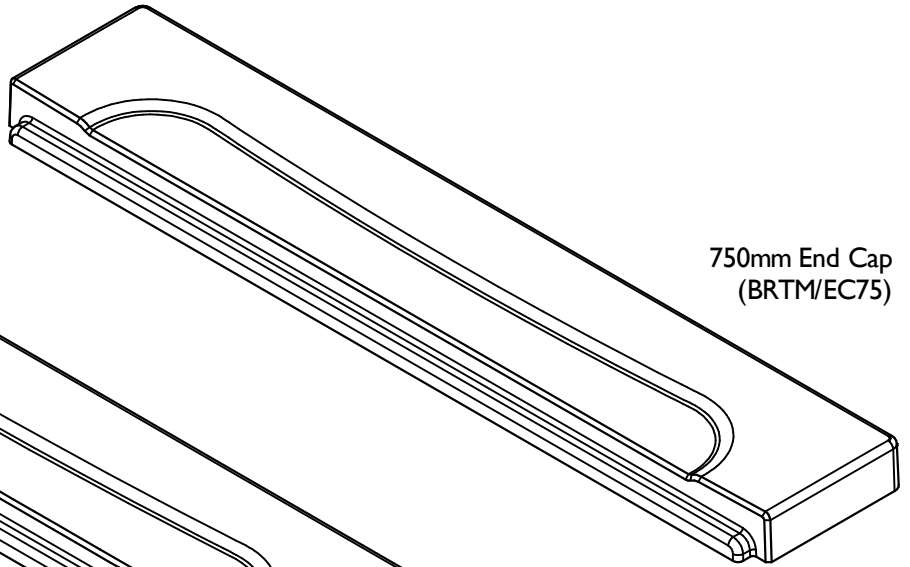
Slimline waste gully with horizontal outlet / SLW/TTI

Bath Replacement Shower Tray Accessories

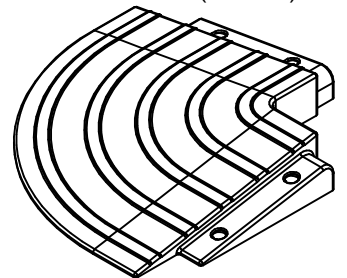
850mm End Cap
(BRTM/EC85)



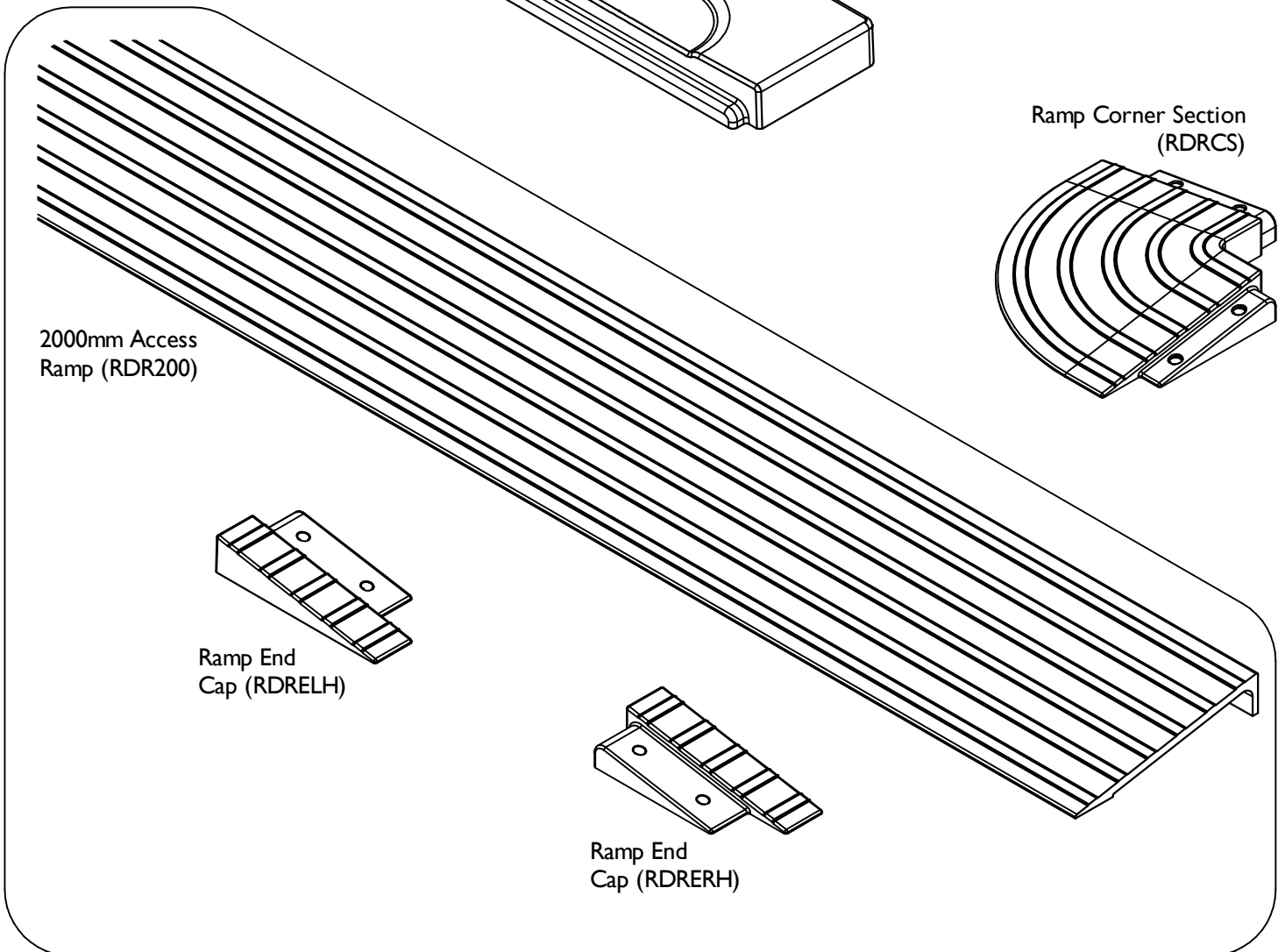
750mm End Cap
(BRTM/EC75)



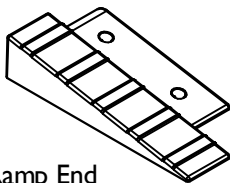
Ramp Corner Section
(RDRCS)



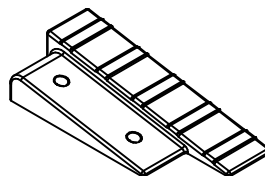
2000mm Access
Ramp (RDR200)



Ramp End
Cap (RDRELH)



Ramp End
Cap (RDRERH)



2000mm Access Ramp Kit (RDRKIT200)

Declaration of Performance

We:

Impey Showers Limited, Conquest Business Park, Ilton, Somerset TA19 9EA

Declare that:

CEST003 Bath Replacement Shower Trays

In accordance with the following:

- Mandate M/110²
- EU Construction products Directive (89/106/EEC)

Fully conform to the scope and relevant characteristics from Annex ZA from the following standard:

BS EN 14527:2006+A1:2010 Shower trays for domestic purposes

Table ZA.1 – Scope and relevant clauses:

Construction Product:		Shower trays as covered by scope of this standard	
Intended Use:		Personal hygiene	
Essential Characteristics	Requirement clauses in this European Standard	Mandated levels and/or classes	Notes
Cleanability	4.2	None	Pass
Durability	4.4	None	Pass

Table ZA.2 – System of attestation of conformity:

Product	Intended Use	Level(s) or class(es)	Attestation of conformity system
Shower Tray	Personal hygiene	-	4
System 4: See Directive 89/106/EEC (CPD), Annex III.2(ii), third possibility			

Table ZA.3 – Assignment of evaluation of conformity tasks:

Tasks		Content of tasks	Evaluation of conformity clauses to apply
Task for the manufacturer	Initial type testing	All relevant characteristics of Table ZA.1	7.3
	Factory production control	Parameters related to all relevant characteristics of Table ZA.1	7.2

I hereby declare that our shower trays have been tested and fully conform to the scope and relevant characteristics of BS EN 14527:2006+A1:2010 to meet the requirements of mandate M/110² and the EU Construction Products Directive (89/106/EEC).

Signed by:

Date: 26/06/13



R Jarvis (New Product Director)

