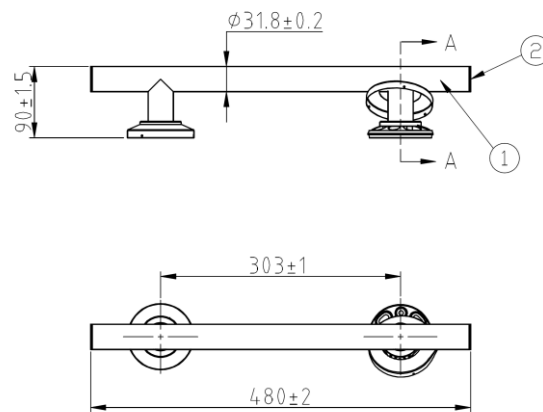




PRODUCT DATA SHEET

GR-18/ST/SSP

480mm straight polished stainless steel grab rail with concealed fixings



DIMENSIONS:

Tube diameter	32 mm
Total projection from wall	90 mm
Total length	480 mm
Flange diameter	84 mm

MATERIALS:

Grade 304 stainless steel

FINISH:

Mirror polished

FIXING POINTS:

8 x 8 mm diameter holes per flange