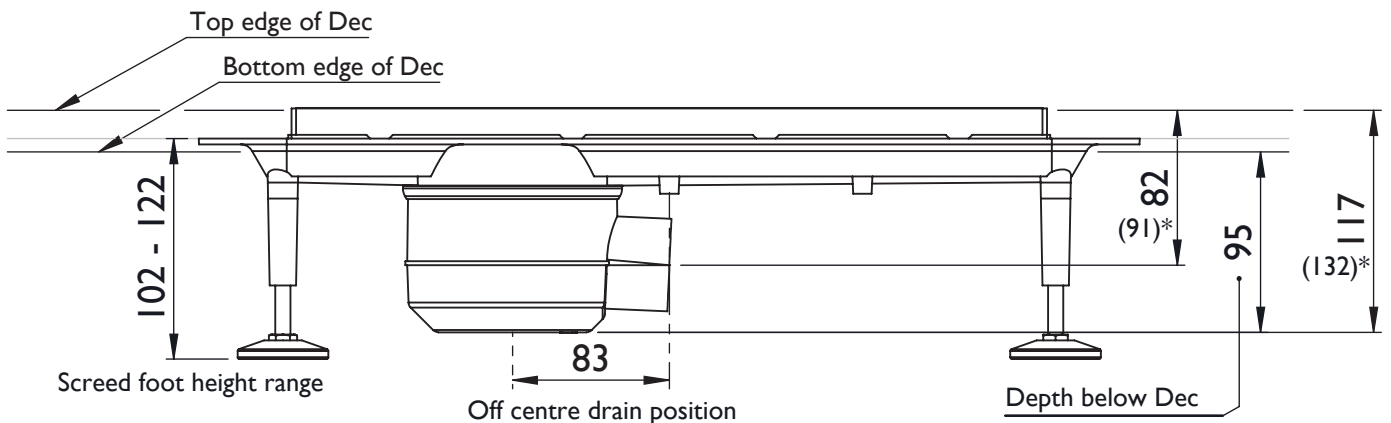
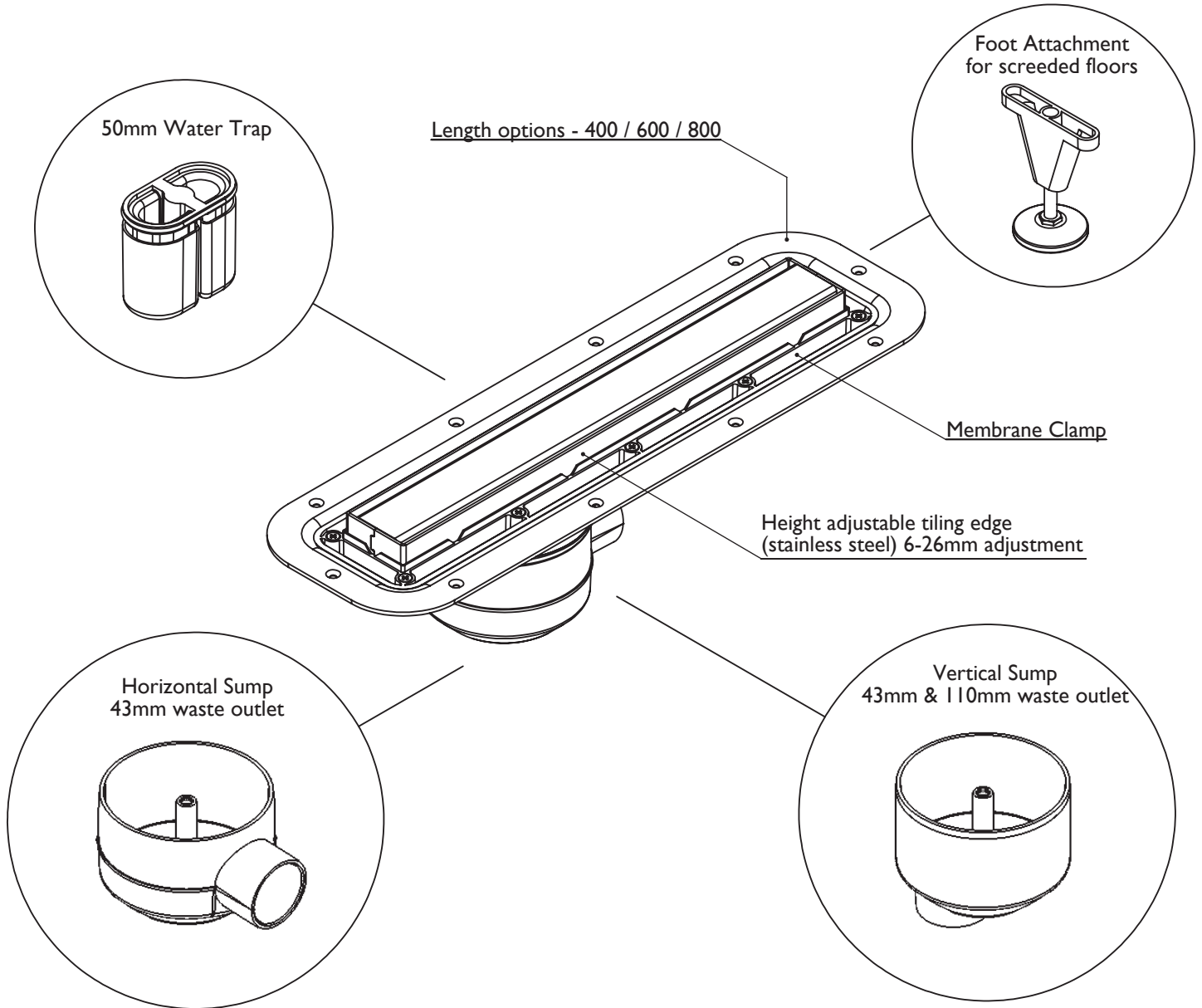


Overview

The Universal Trap comprises a set of interchangeable components which are combined to make a range of drain products. The range includes both linear and wet floor drains for use in corresponding Impey Decs, as well as stand alone linear drains for use in a concrete screeded floor.

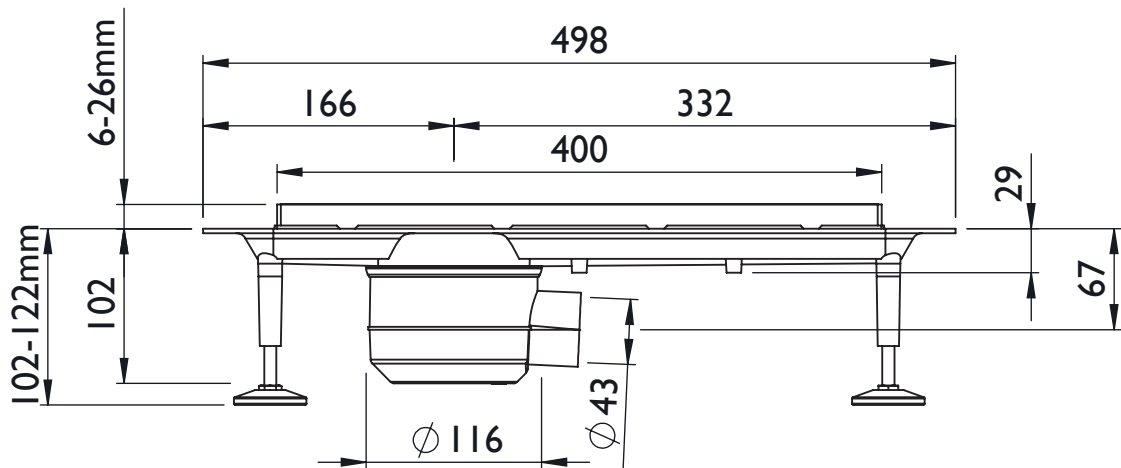
The term 'Universal Trap' is used in reference to the trap and sump components which are shared across all drain configurations.



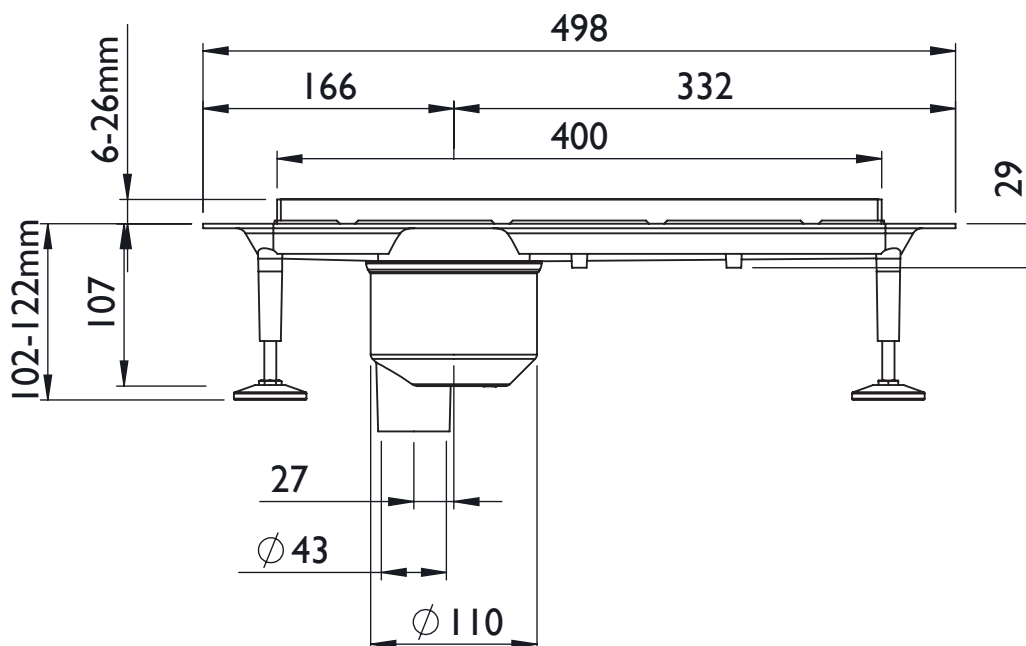
*Brackets indicate equivalent value on current drain.

Dimensional Summary - 400 Linear

SA/LNR40S/H
LINEAR 400 - HORIZONTAL OUTLET - SCREEDED

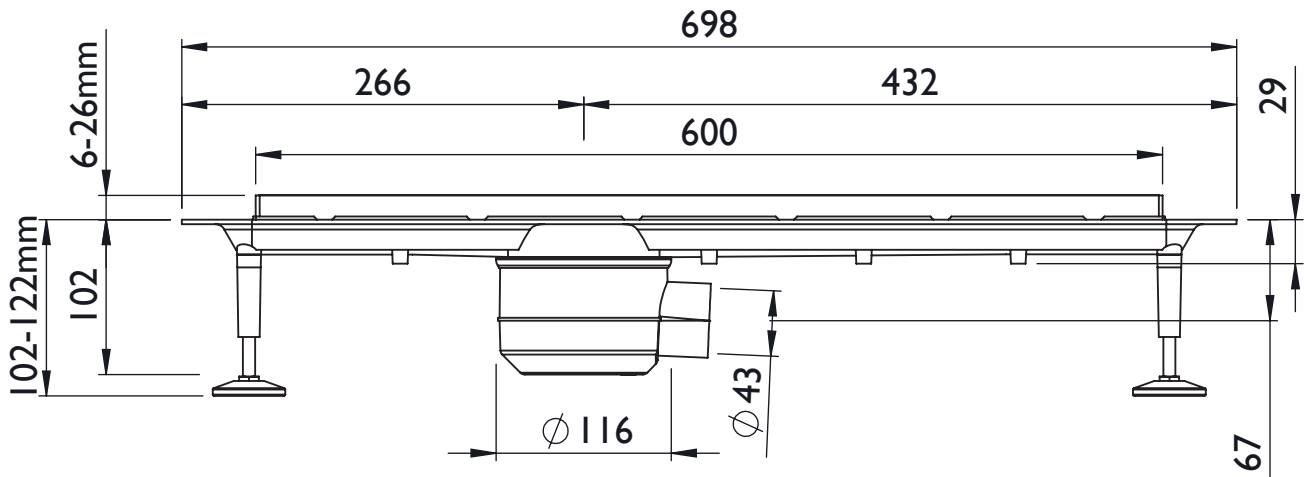


SA/LNR40S/V
LINEAR 400 - VERTICAL OUTLET - SCREEDED

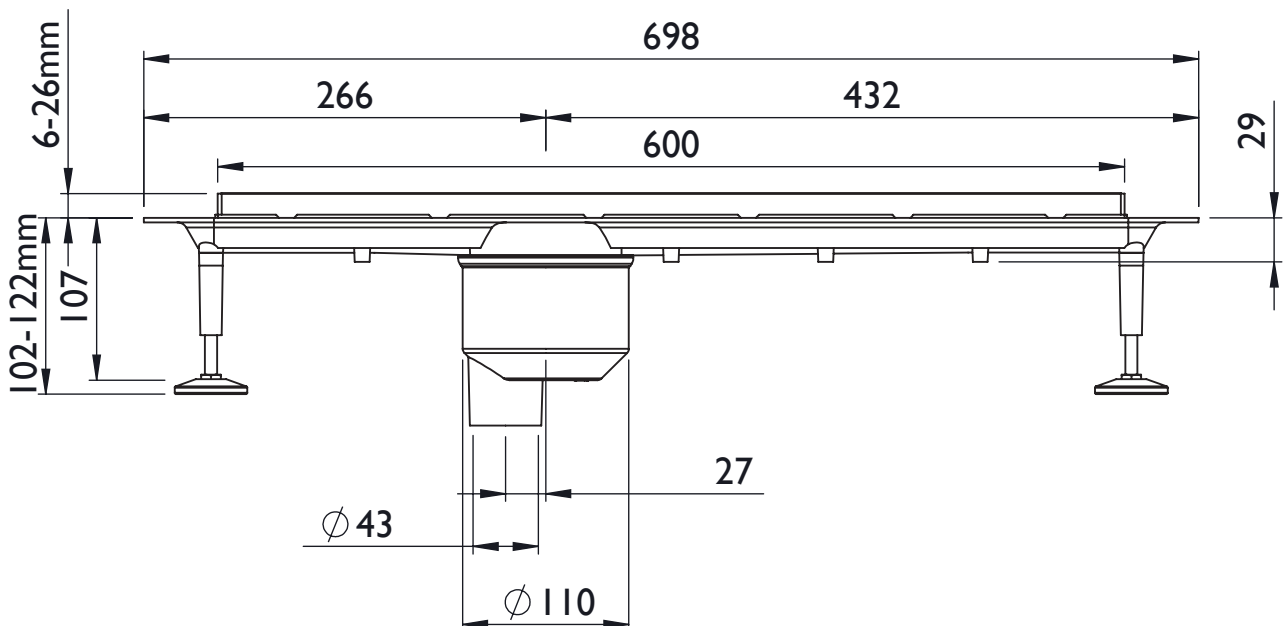


Dimensional Summary - 600 Linear

SA/LNR60S/H LINEAR 600 - HORIZONTAL OUTLET - SCREEDED

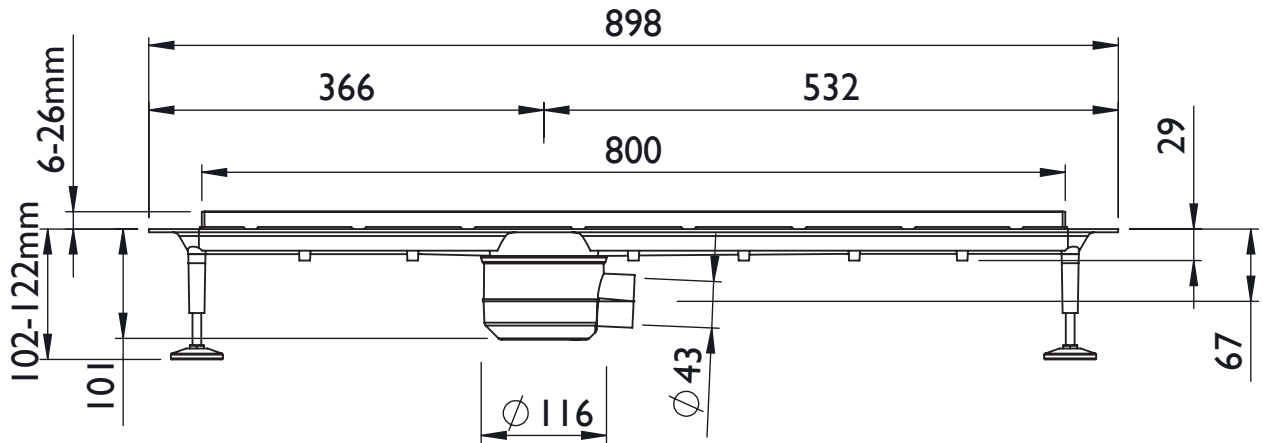


SA/LNR60S/V LINEAR 600 - VERTICAL OUTLET - SCREEDED

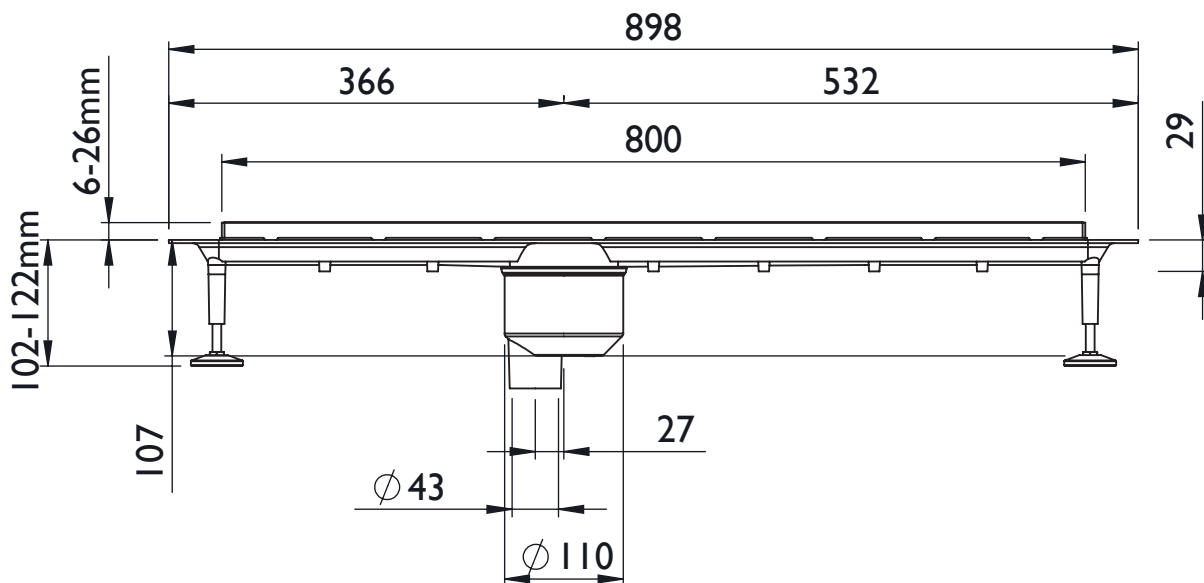


Dimensional Summary - 800 Linear

SA/LNR80S/H LINEAR 800 - HORIZONTAL OUTLET - SCREEDED

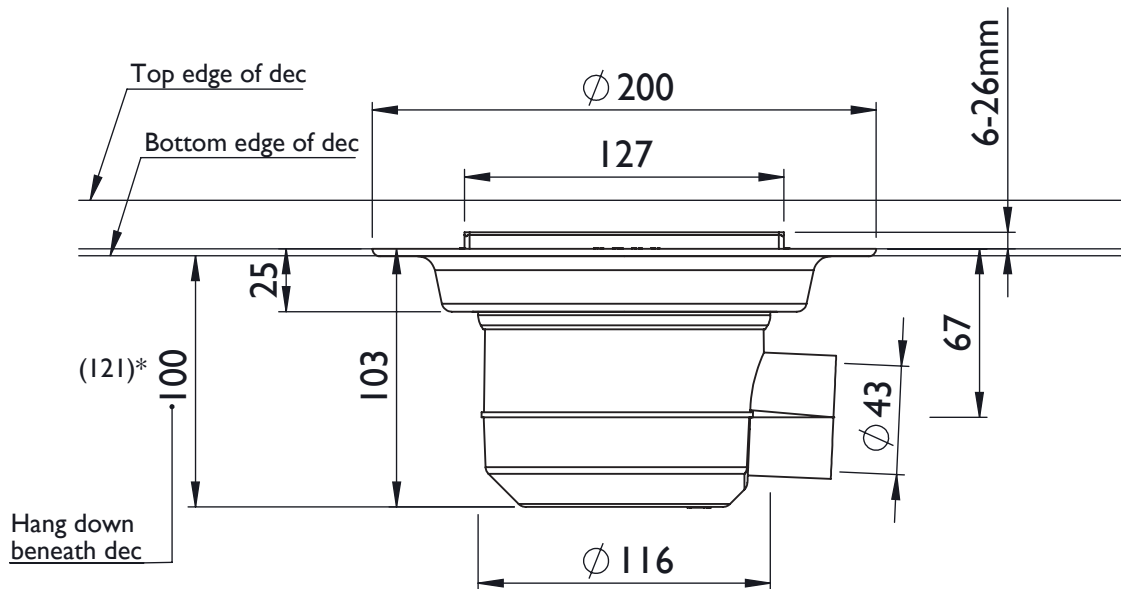


SA/LNR80S/V LINEAR 800 - VERTICAL OUTLET - SCREEDED



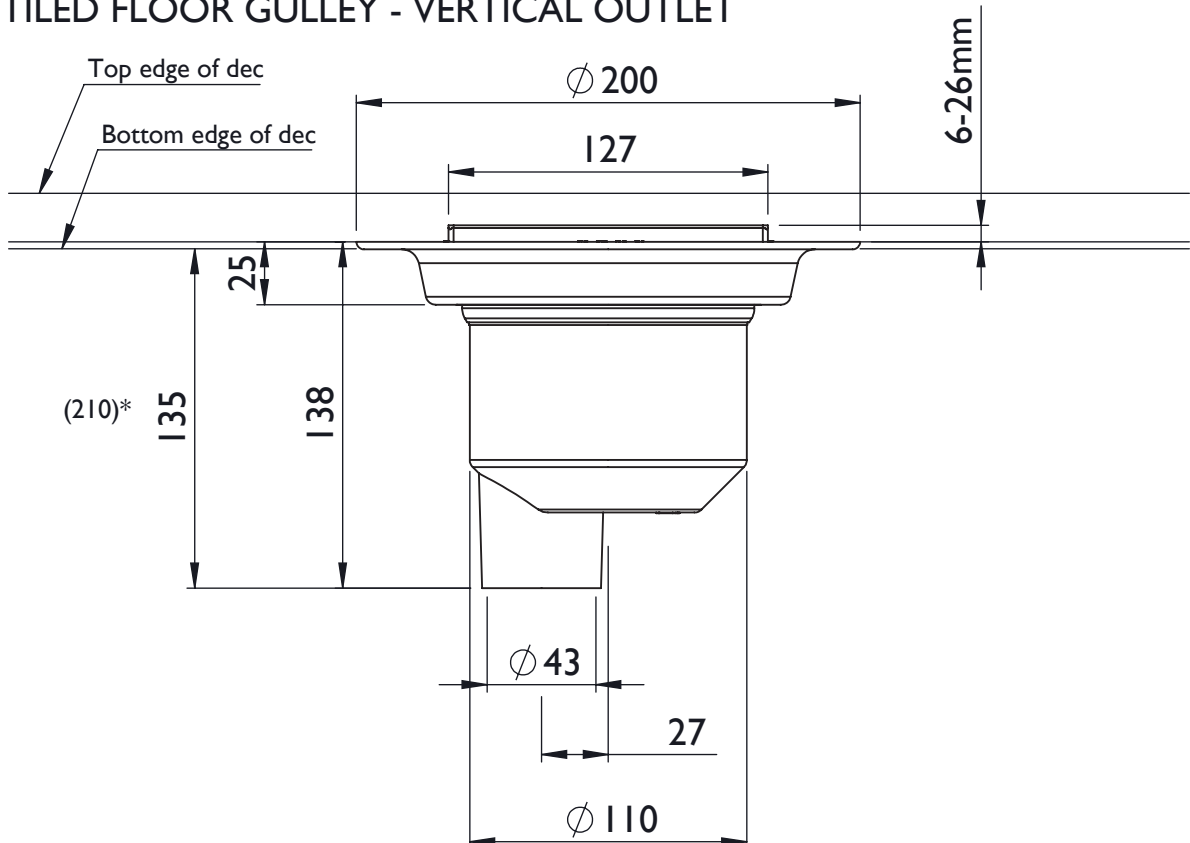
Dimensional Summary - Tiled Gulley drain

UTT01/H TILED FLOOR GULLEY - HORIZONTAL OUTLET



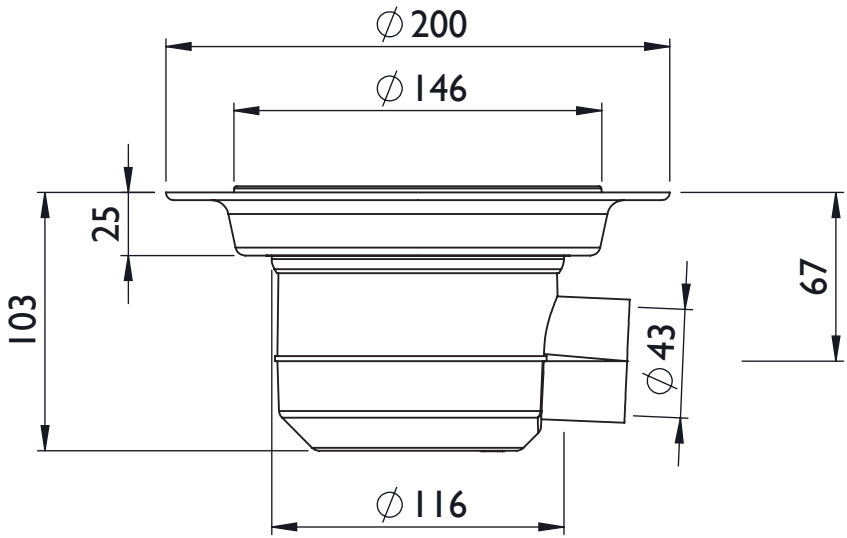
*Brackets indicate equivalent value on current drain.

UTT01/V TILED FLOOR GULLEY - VERTICAL OUTLET

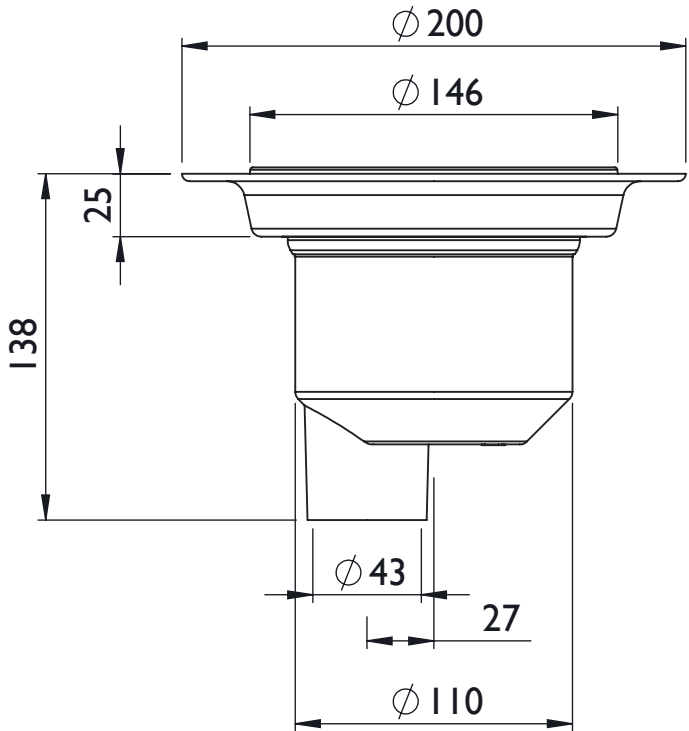


Dimensional Summary - Vinyl Gulley drain

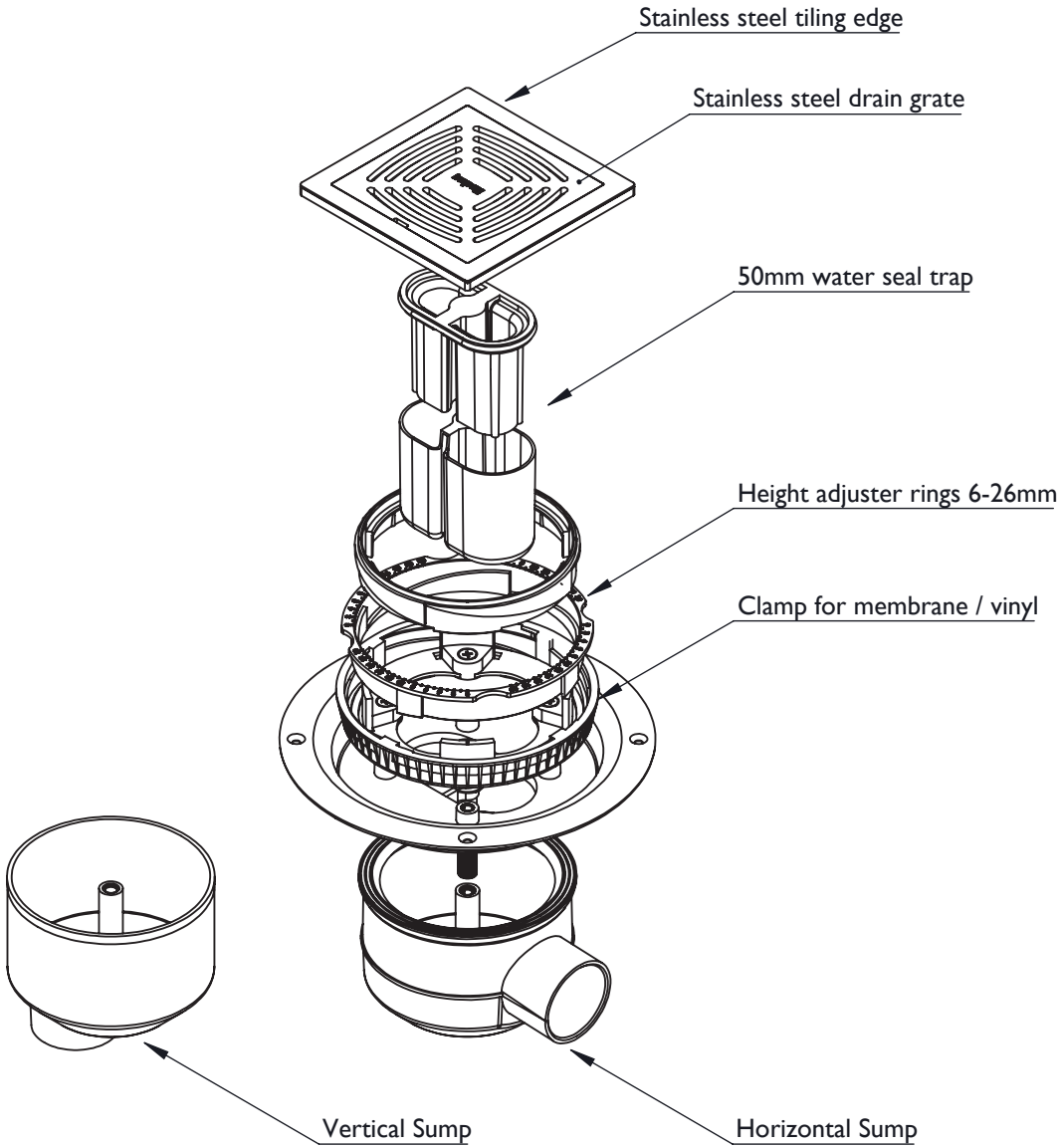
UTVG01/H VINYL FLOOR GULLEY - HORIZONTAL OUTLET



UTVG01/V VINYL FLOOR GULLEY - VERTICAL OUTLET



Tiled Gulley drain Features Summary



Vinyl Gulley drain Features Summary

