

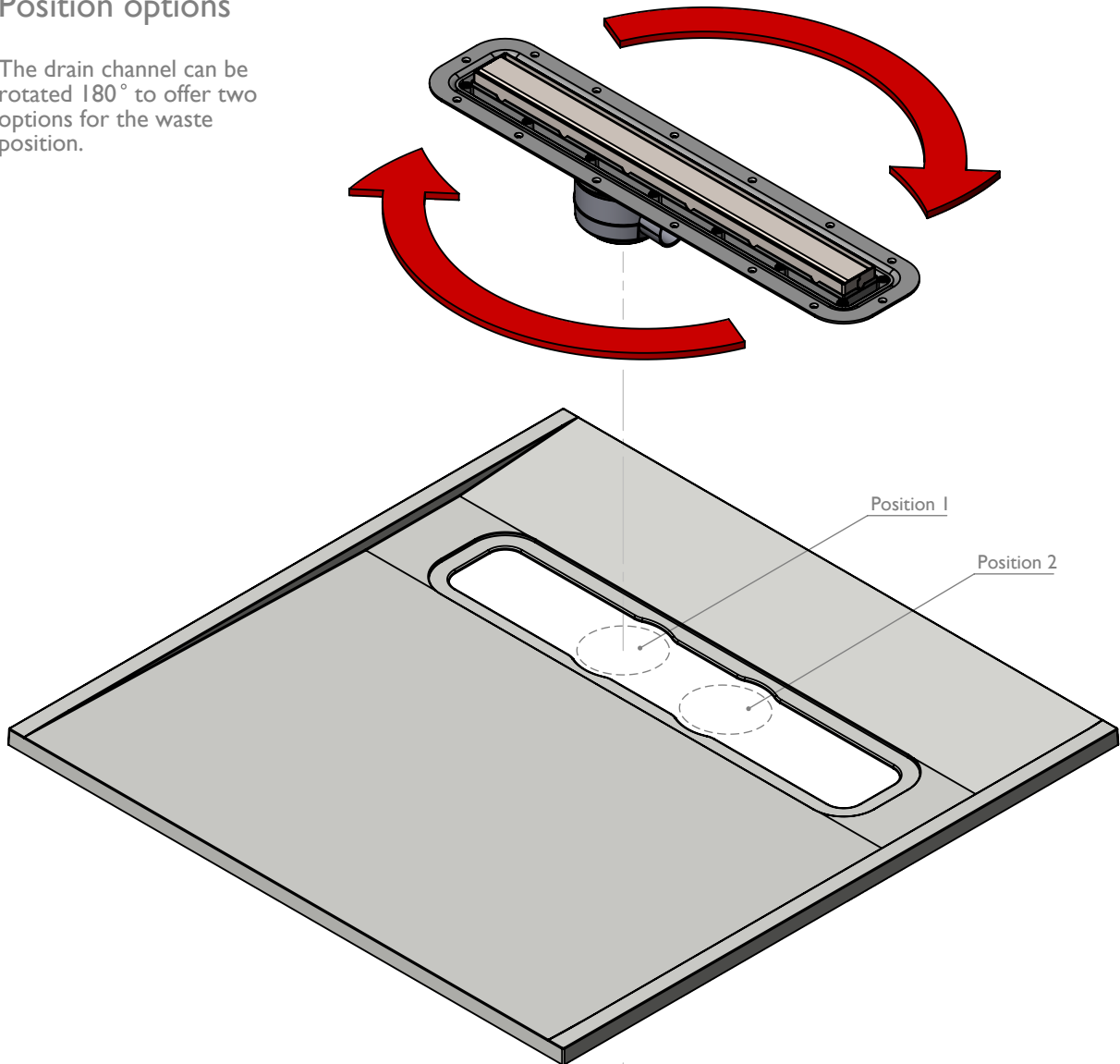
Linear Dec Two Way Fall - Technical Data

Thickness	All 22mm in height		
Handing	Universal (not handed)		
Sizes Available	1200 x 900 AD2LI290	1000 x 1000 AD2LI010	900 x 900 AD2L9090
Waste outlet position	Off centre by 83mm - see drawings, 270mm from back edge		
Trap Size	Impey Universal Drain System - 50mm water seal		
Waste options	Horizontal 43mm outlet	Vertical 43mm outlet	Vertical 110mm outlet
Construction	Multi Layer GRP with solid core and durable Polyester Gel outer surface		
Features	Creates reliable and consistent gradient for wet floor showers. Easy installation, no special skills required. Fully removable trap for easy cleaning. Height adjustable tiling frame - catering for different thickness tiles. Drain outlet position is adjustable to avoid joists or other obstructions.		
Installation	Only suitable for tiled floor finishes. Must be fully supported on the underside by minimum 18mm thickness plywood. Must be installed with a suitable waterproofing floor membrane - Impey Waterguard recommended.		
Supplied with	Tile edging kit for edge of Dec and drain (up 10mm thick tiles). Linear Drain (600mm or 800mm depending on Dec size). Fixing screws and full installation guide		
Flow rate	Approximately 40 l/m. Test conducted on 400mm drain with 10mm tile thickness (tested in accordance with BS 274-1 and 2:2002).		
Weight (approx.)	AD2LI290 25 kg	AD2LI010 20 kg	AD2L9090 18 kg

Features & Options

Position options

The drain channel can be rotated 180° to offer two options for the waste position.



Outlet options

Two outlets are available, horizontal or vertical. Both are fully rotatable to offer 360° waste positioning. The Vertical outlet is 27mm off centre to assist with alignment to existing pipework.

The Vertical outlet can also be pushed into a 110mm soil pipe socket.

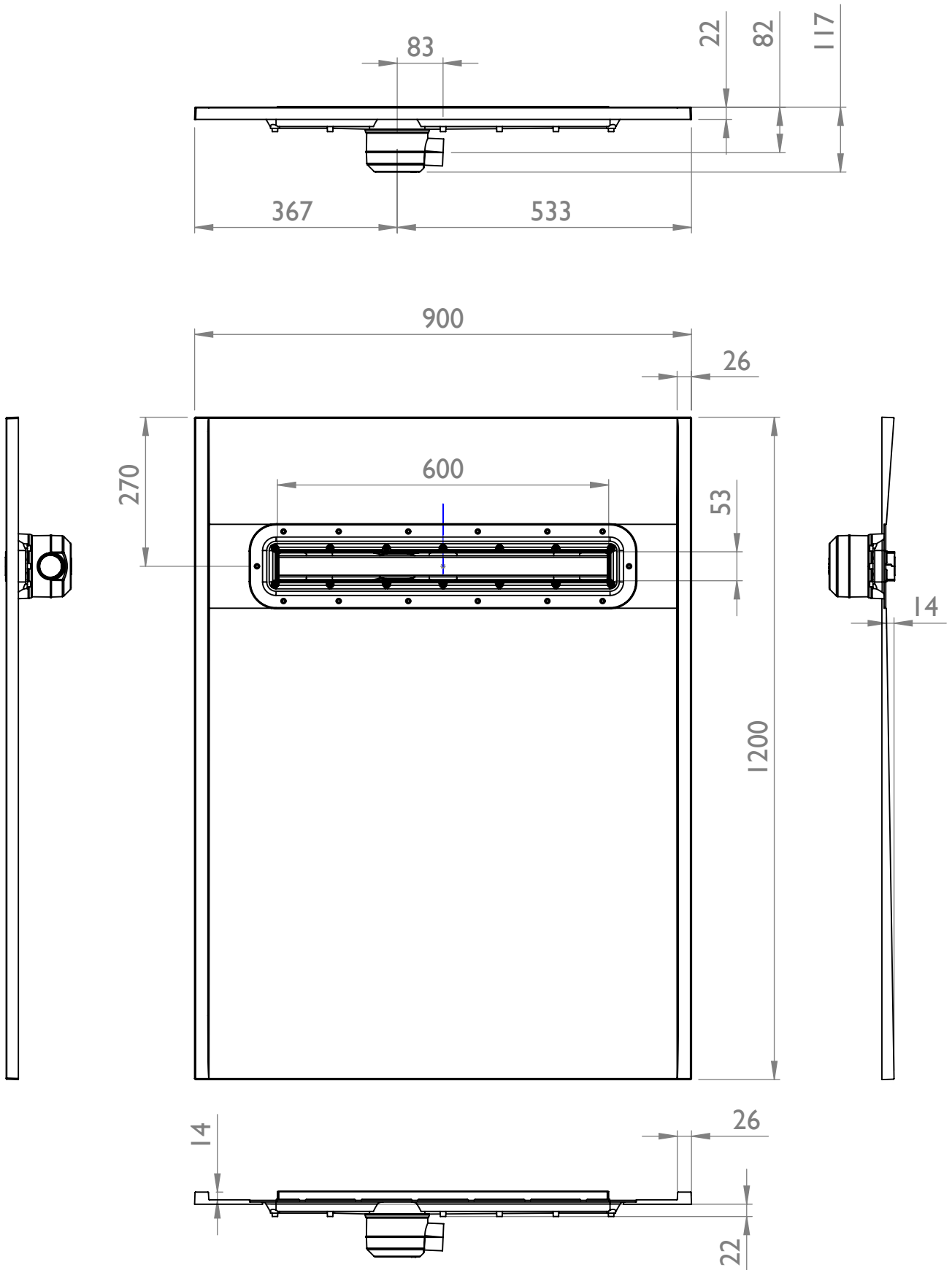


Horizontal outlet sump (43mm)

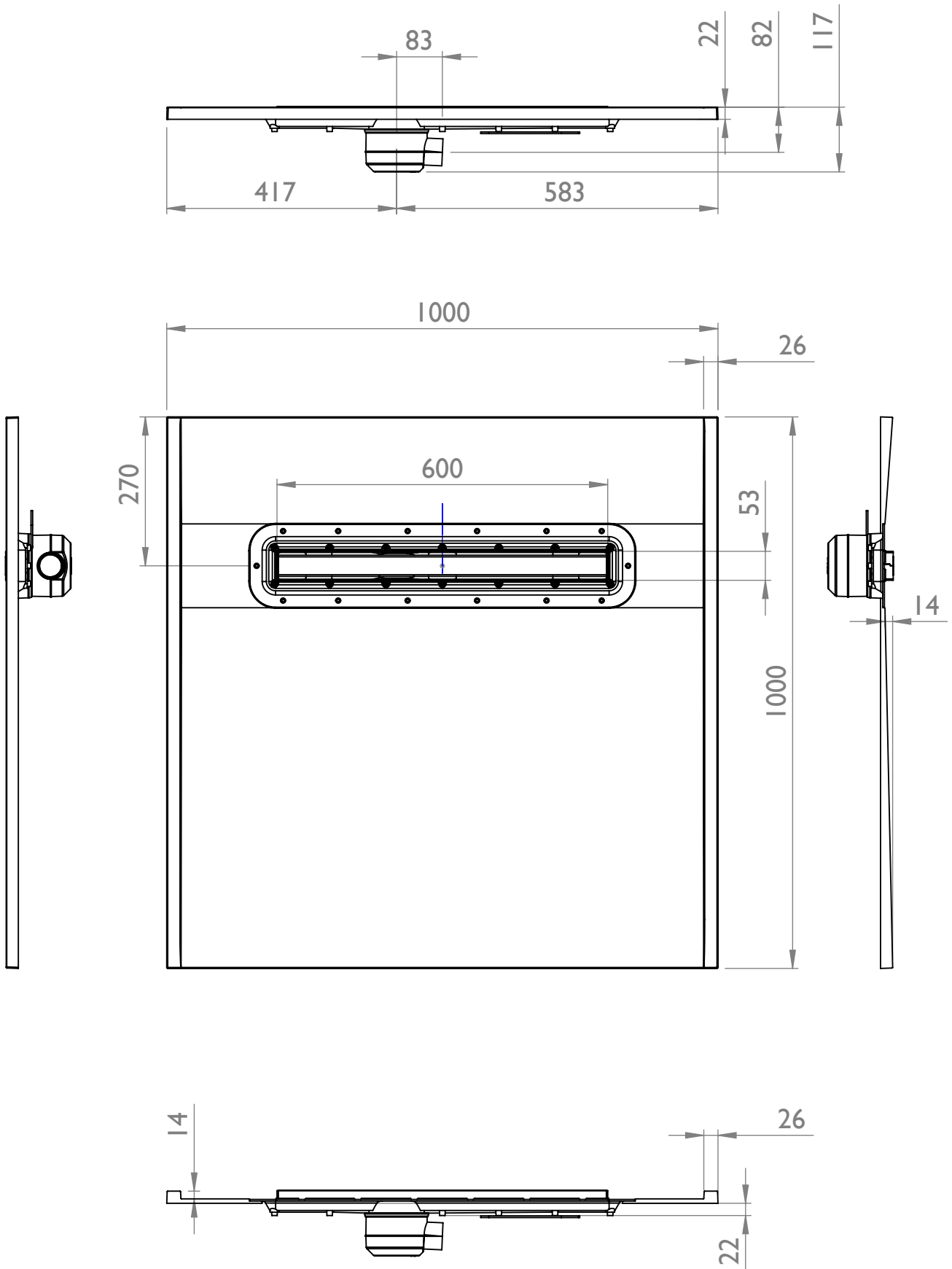


Vertical outlet sump (43mm or 110mm)

LNR 2WF 1200X900



LNR 2WF 1000X1000



LNR 2WF 900X900

