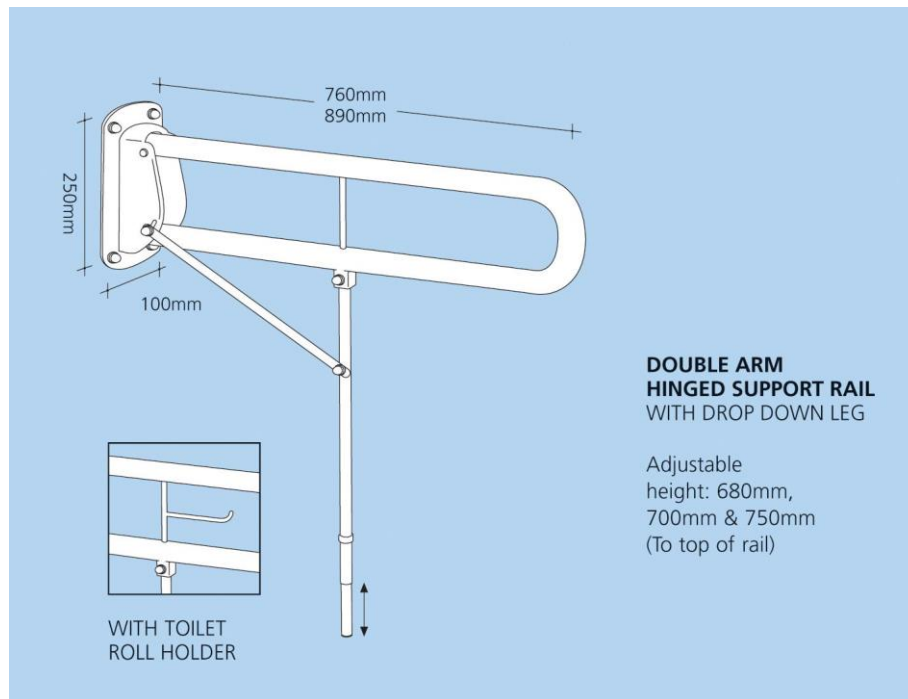


Bathex Ltd

Fixing instructions for Hinged Rails with Drop Down Legs



- Decide at what height you require the rail to be set
- Height measurements are taken from the top of the rail measured directly above the leg.

Drilling instructions

- Take the centre of the top holes in the back plate as the location points for height. Holes have to be drilled 30mm above the chosen height.
- Height 750mm drill at 780mm
- Height 700mm drill at 730mm
- Height 680mm drill at 710mm
- **NB** The leg is designed to be 10mm off the floor before weight is applied, enabling the arm to bed upwards into the back plate, at its pivot point
- If the leg reaches the ground before weight is applied a sideways movement will occur in the down position.
- Height adjustment is obtained by using the screw leg at the base of the support leg
- This rail has been tested to withstand a drop test weight of 171kg