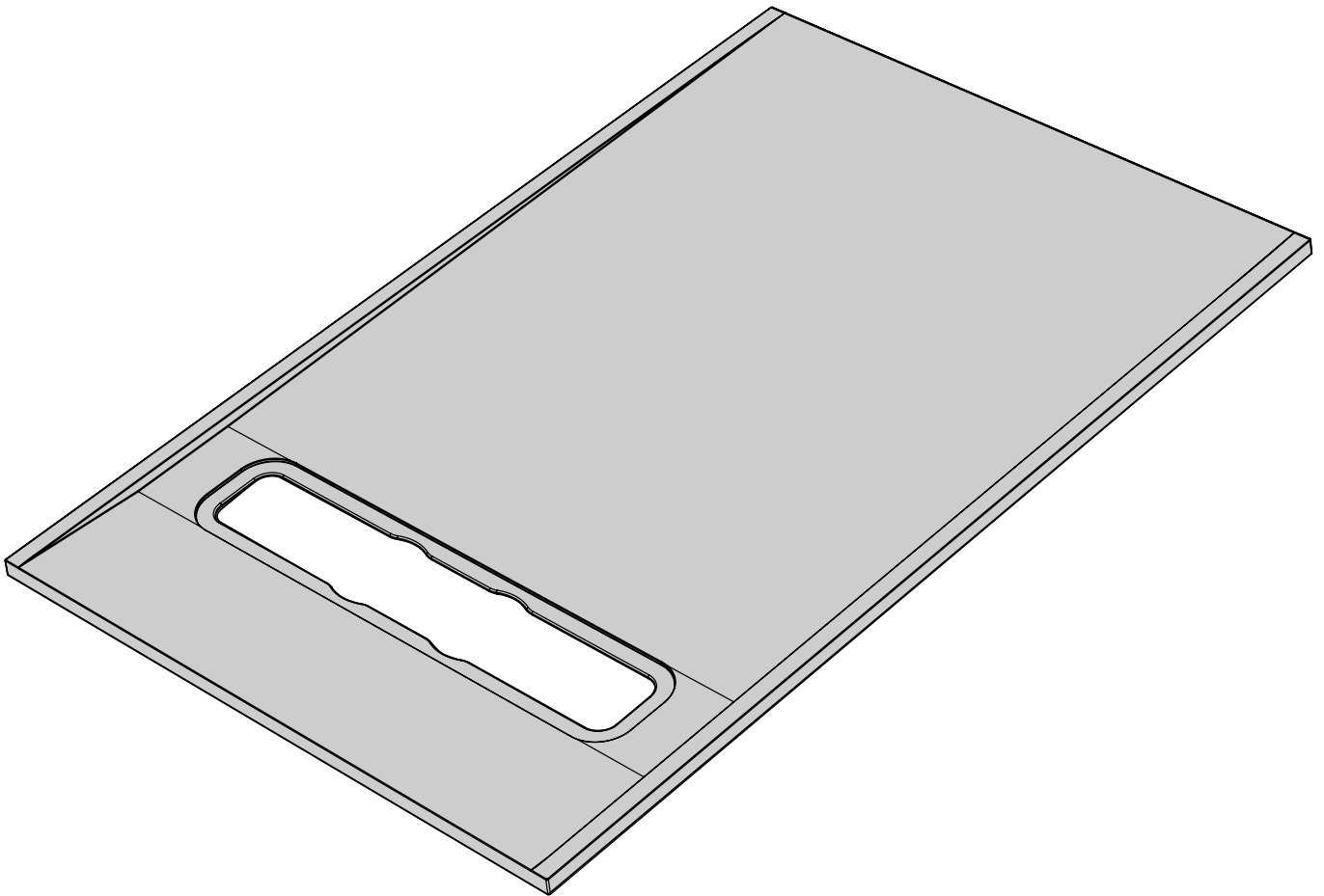


# TECHNICAL DATA SHEET

## AQUA-DEC LINEAR 2 2 WAY FALL



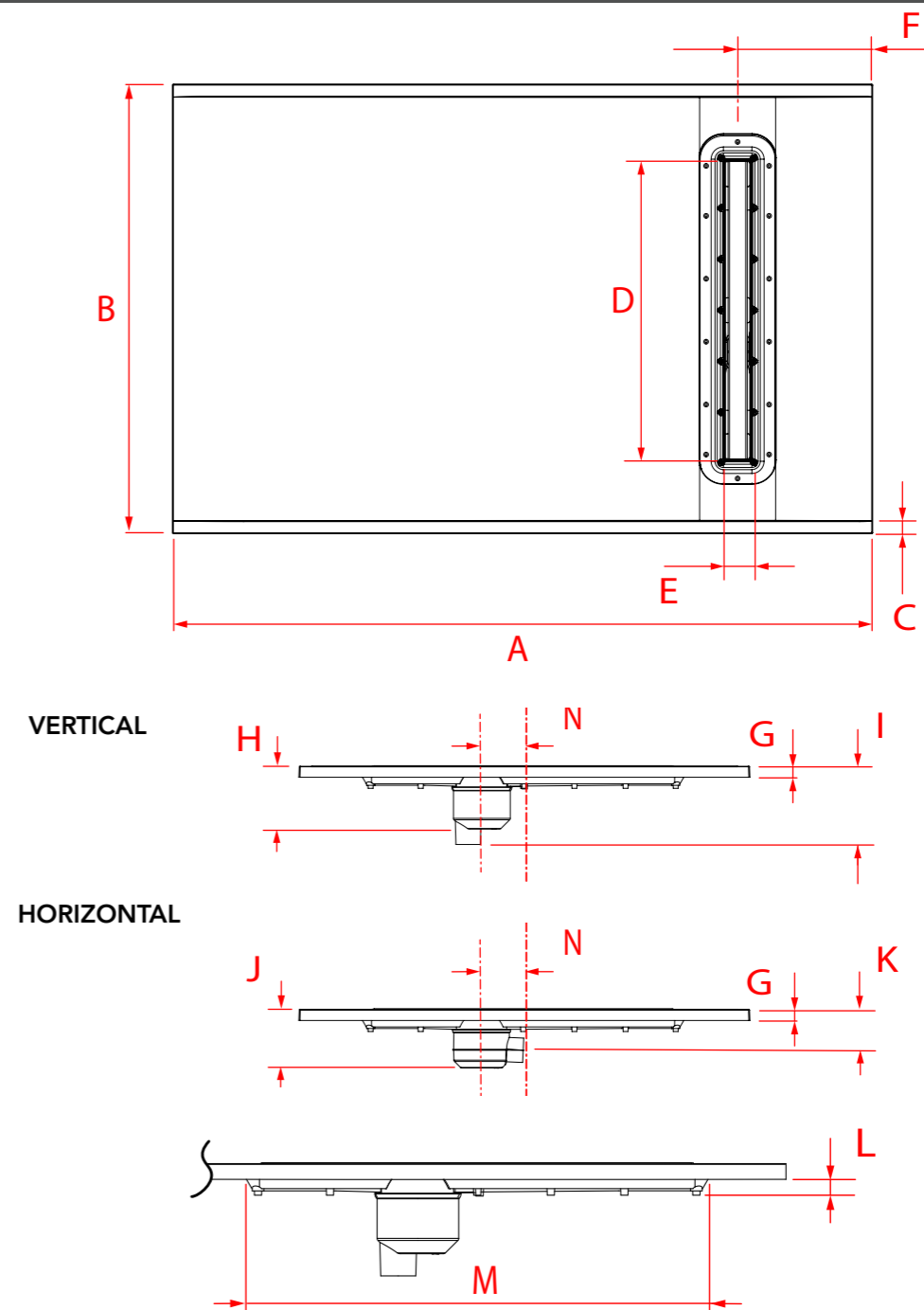
**AD2L9090 - 900 x 900**  
**AD2L1010 - 1000 x 1000**  
**AD2L1290 - 1200 x 900**  
**AD2L1490 - 1400 x 900**

## TECHNICAL DATA

<b>THICKNESS</b>	All 22mm in height			
<b>HANDING</b>	Universal (not handed)			
<b>SIZE &amp; WEIGHT* AVAILABLE</b>	<b>AD2L9090</b> 900 x 900 17KG	<b>AD2L1010</b> 1000 x 1000 20KG	<b>AD2L1290</b> 1200 x 900 19KG	<b>AD2L1490</b> 1400 x 900 22KG
<b>TRAP SIZE</b>	Gravity Drain - 50mm Water Seal			
<b>WASTE OPTIONS</b>	Horizontal 43mm Outlet or Vertical 43mm Outlet or 110mm Outlet			
<b>FEATURES</b>	Creates reliable and consistent gradient for the showering area on the wetroom floor. Easy to install. Refer to Gravity Drain Technical Data sheet for features.			
<b>CONSTRUCTION</b>	Solid base;- multi layer GRP with durable polyester gel outer surface. or Rib base;- SMC composite with open structure ribs on the underside.			
<b>INSTALLATION</b>	Tiled floor finishes. Suitable for concrete and timber floor construction. Timber floors must be underboarded by a minimum of 18mm thickness plywood. For the guarantee to be applicable the Dec must be installed with the WaterGuard Membrane.			
<b>SUPPLIED WITH</b>	Linear Drain 600mm. Fixing screws, and installation guide.			
<b>FLOW RATES</b>	Approx 40 l/min. Test conducted on a 400mm drain with 10mm tile thickness (tested in accordance with BS 274-1 2:2002).			

\* WEIGHT SHOWN IS APPROX (PACKAGED)

## LINEAR DEC 2 WAY FALL DIMENSIONS



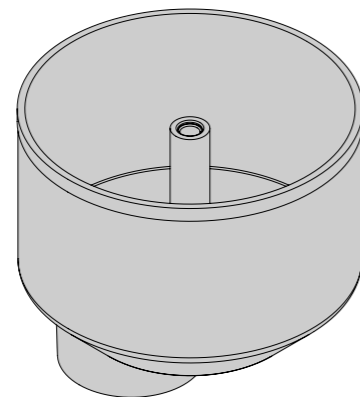
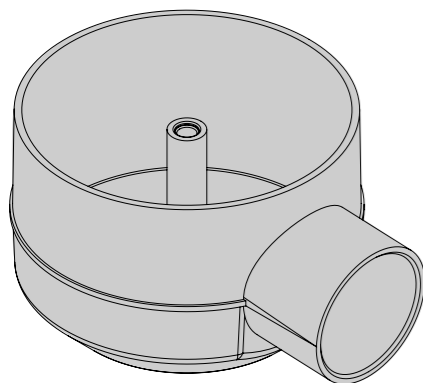
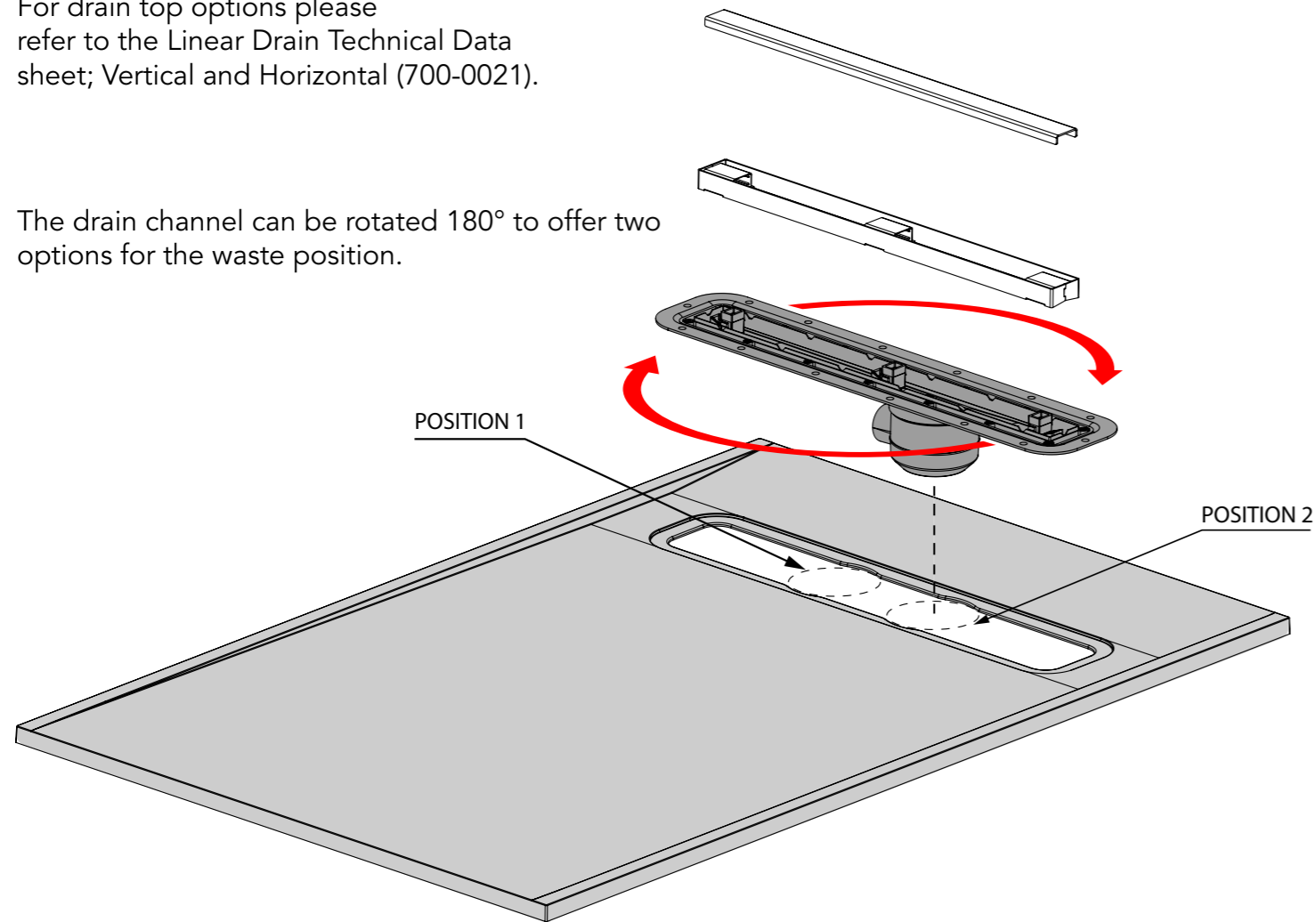
DEC	A	B	C	D	E	F	G	H	I	J	K	L	M	N
900 x 900	900	900	27	600	53	270	22	121	152	117	82	22	640	83mm symmetrical about the centre of the Dec.
1000 x 1000	1000	1000	27	600	53	270	22	121	152	117	82	22	640	
1200 x 900	1200	900	27	600	53	270	22	121	152	117	82	22	640	
1400 x 900	1400	900	27	600	53	270	22	121	152	117	82	22	640	

DIMENSIONS ARE IN MM

## FEATURES AND OPTIONS

For drain top options please refer to the Linear Drain Technical Data sheet; Vertical and Horizontal (700-0021).

The drain channel can be rotated 180° to offer two options for the waste position.



Choose either a gravity horizontal or vertical waste outlet. Gravity horizontal is supplied as standard.

Both wastes are fully rotatable to offer 360° waste positioning. Please refer to the Linear Drain Technical Data sheet; Vertical and Horizontal (700-0021).

01460 256080

[www.impeyshowers.com](http://www.impeyshowers.com)

[technical.support@impeyshowers.com](mailto:technical.support@impeyshowers.com)

Impey, Conquest Business Park,  
Cad Road, Ilton, Somerset, TA19 9EA

Coram UK Holding Ltd reserves the right to change the design or specification without prior notice.