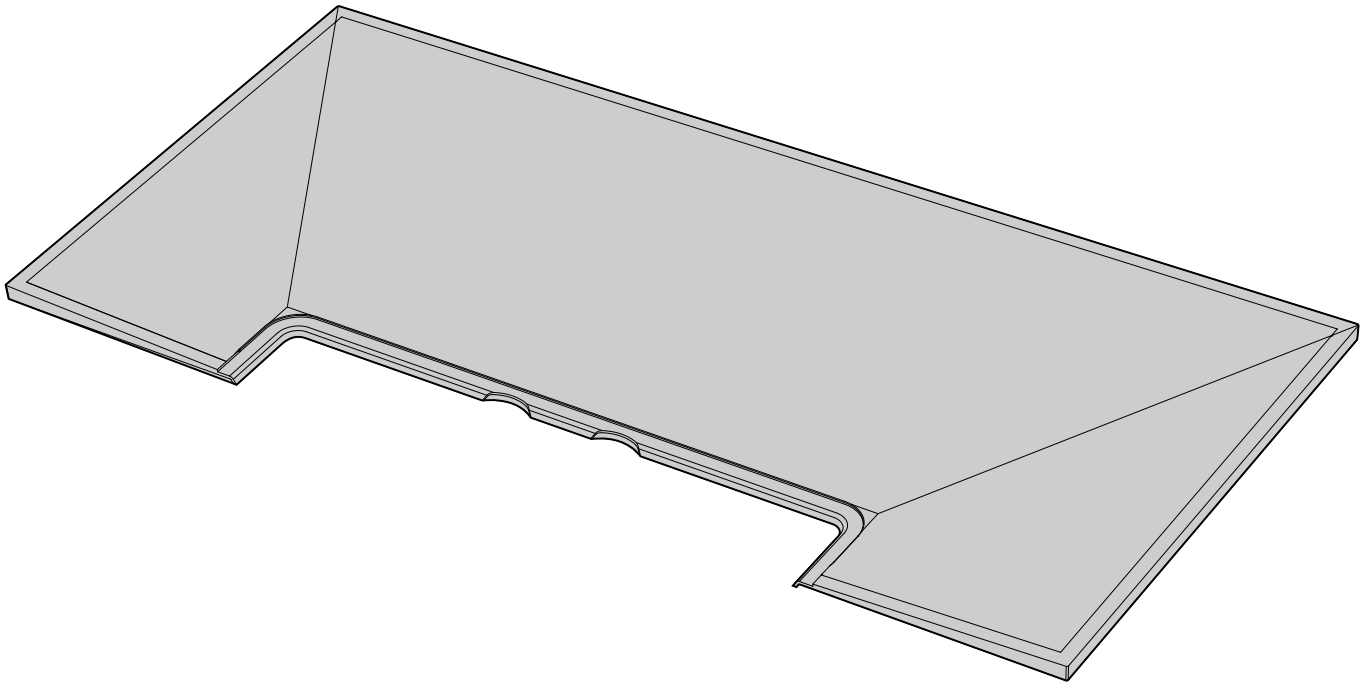


TECHNICAL DATA SHEET

AQUA-DEC LINEAR 3 3 WAY FALL



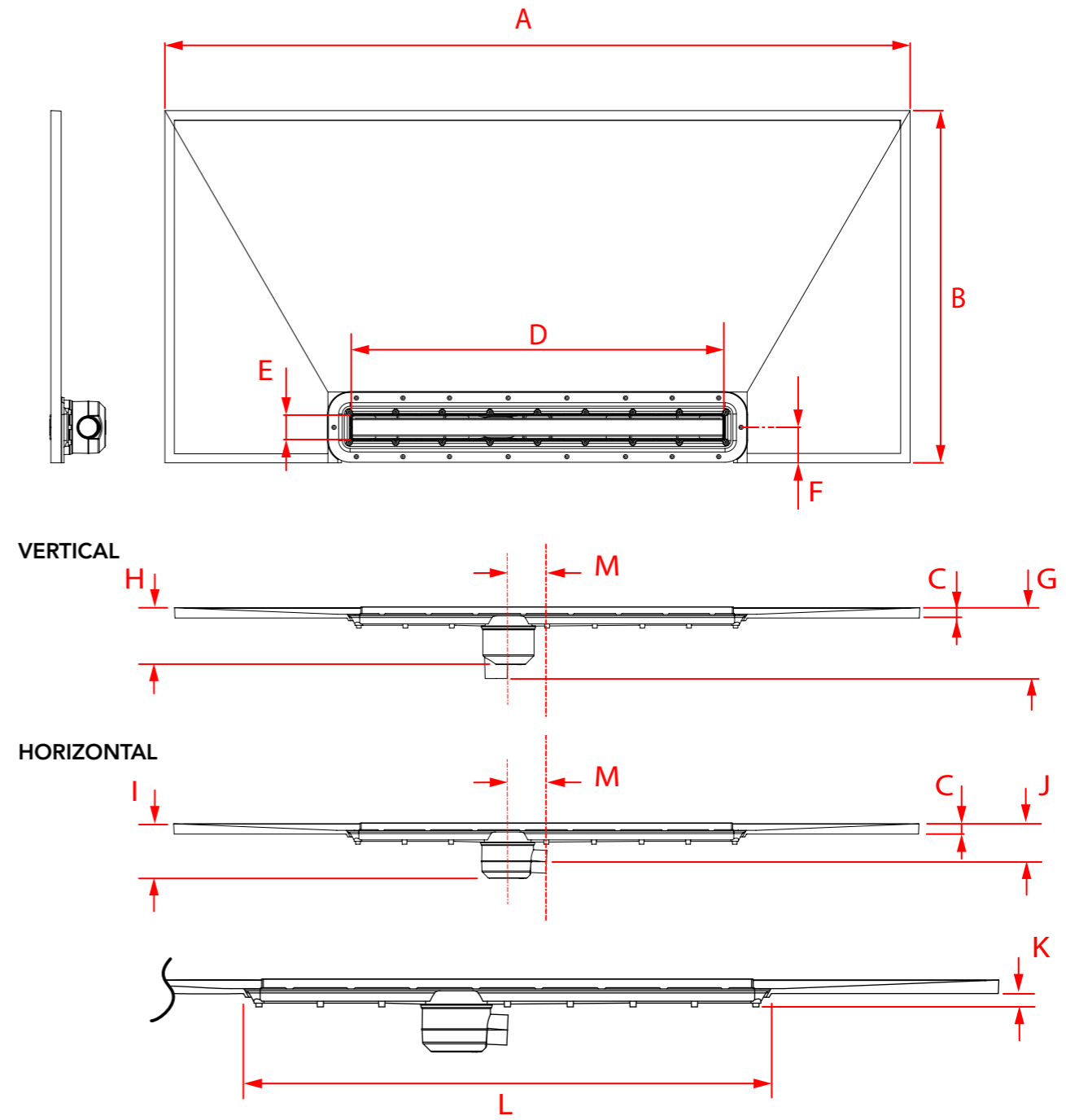
AD3L1290 - 1200 x 900
AD3L1580 - 1500 x 800
AD3L1590 - 1500 x 900
AD3L1880 - 1800 x 800
AD3L1890 - 1800 x 900

TECHNICAL DATA

THICKNESS	All 22mm in height			
HANDING	Universal (not handed)			
SIZE & WEIGHT* AVAILABLE	AD3L1290 1200 x 900 22KG	AD3L1580 1500 x 800 24KG	AD3L1590 1500 x 900 25KG	AD3L1880 1800 x 800 37KG
	AD3L1890 1800 x 900 38KG			
TRAP SIZE	Gravity Drain - 50mm Water Seal			
WASTE OPTIONS	Horizontal 43mm Outlet or Vertical 43mm Outlet or 110mm Outlet			
FEATURES	Creates reliable and consistent gradient for wetroom floors. Easy to install. Easily trimmable (Excluding 1200 x 900). Refer to Gravity Drain Technical Data sheet for features.			
CONSTRUCTION	Solid base;- multi layer GRP with durable polyester gel outer surface. or Rib base;- SMC composite with open structure ribs on the underside.			
INSTALLATION	Tiled floor finishes. Suitable for concrete and timber floor construction. Timber floors must be underboarded by a minimum of 18mm thickness plywood. For the guarantee to be applicable the Dec must be fitted with the WaterGuard Membrane.			
SUPPLIED WITH	Linear Drain 800mm Fixing screws, and installation guide.			
FLOW RATES	Approx 40 l/min. Test conducted on a 400mm drain with 10mm tile thickness (tested in accordance with BS 274-1 2:2002).			

* WEIGHT SHOWN IS APPROX (PACKAGED)

LINEAR DEC 3 WAY FALL DIMENSIONS



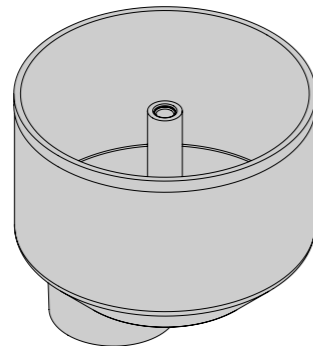
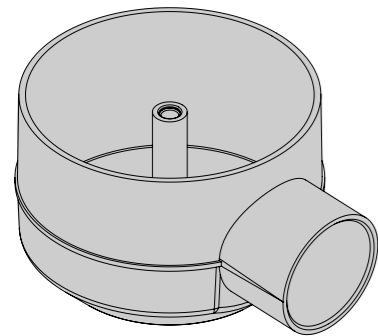
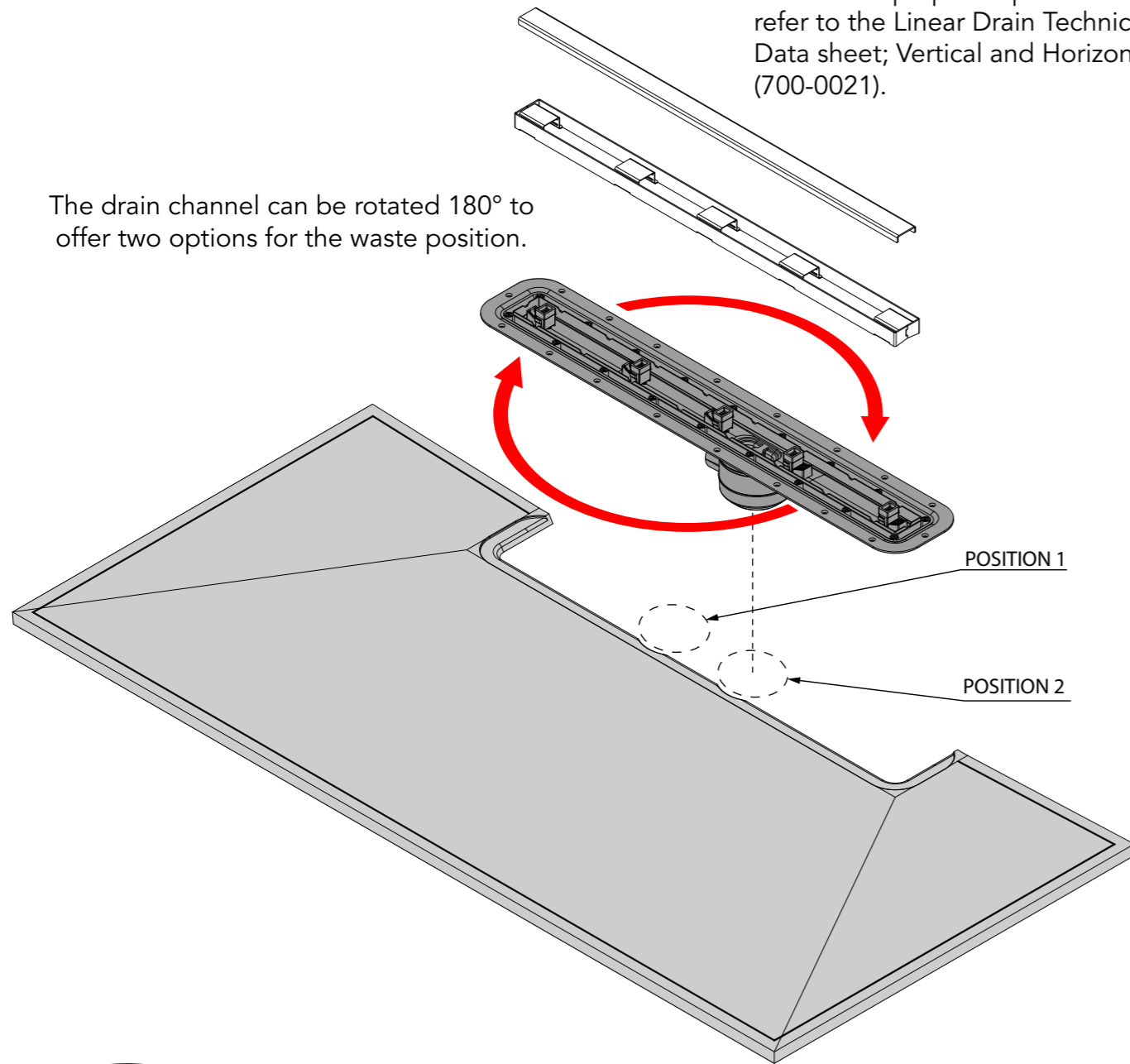
DEC	A	B	C	D	E	F	G	H	I	J	K	L	M
1200 x 900	1200	900	22	800	53	76	152	121	117	82	22	861	83mm symmetrical about the centre of the Dec.
1500 x 800	1500	800	22	800	53	76	152	121	117	82	22	861	
1500 x 900	1500	900	22	800	53	76	152	121	117	82	22	861	
1800 x 800	1800	800	22	800	53	76	152	121	117	82	22	861	
1800 x 900	1800	900	22	800	53	76	152	121	117	82	22	861	

DIMENSIONS ARE IN MM

FEATURES AND OPTIONS

For drain top options please refer to the Linear Drain Technical Data sheet; Vertical and Horizontal (700-0021).

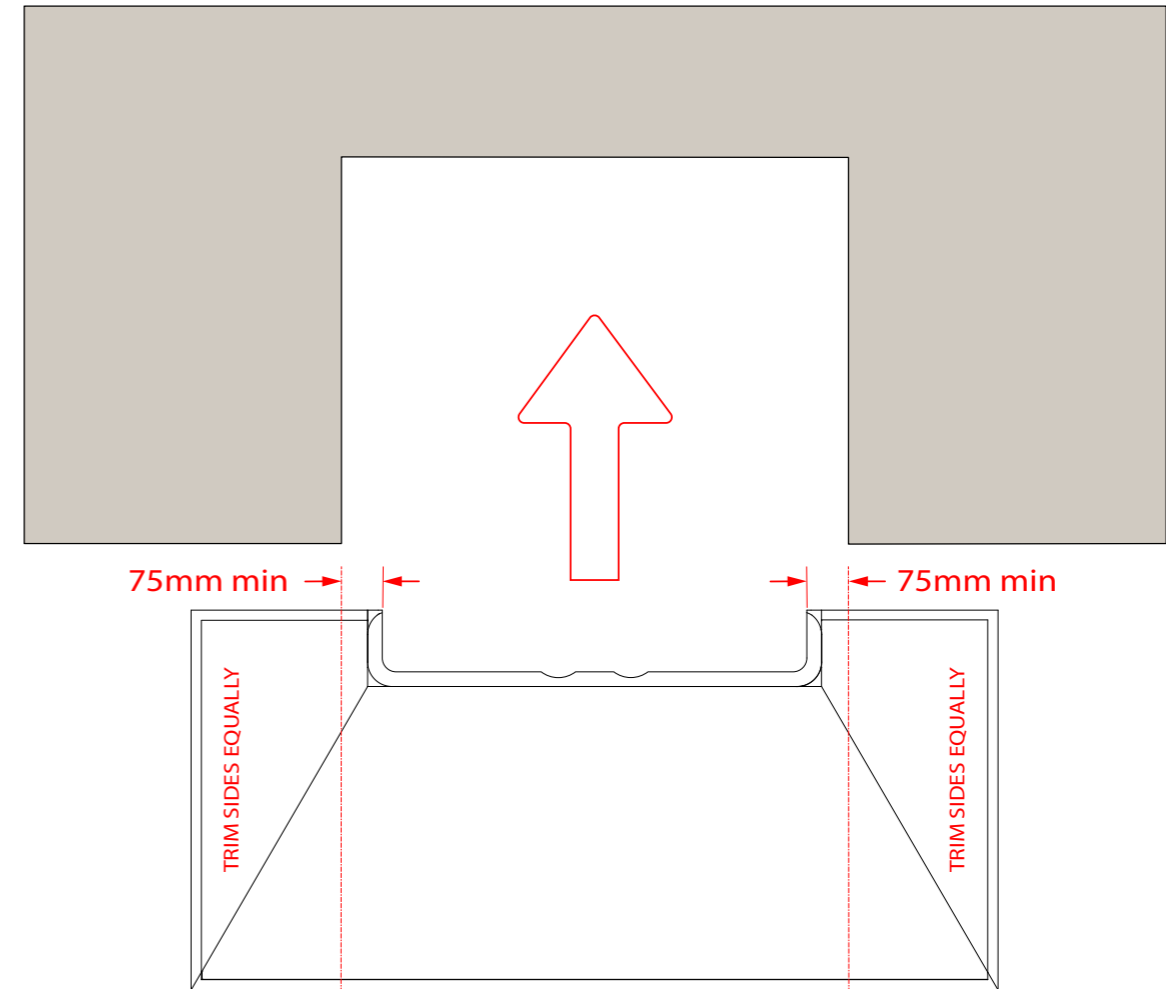
The drain channel can be rotated 180° to offer two options for the waste position.



Choose either a gravity horizontal or vertical waste outlet. Gravity horizontal is supplied as standard.

Both wastes are fully rotatable to offer 360° waste positioning. Linear Drain Technical Data sheet; Vertical and Horizontal (700-0021).

INSTALLATION INTO AN ALCOVE



The Dec can be trimmed to fit into an alcove. (**Excludes 1200x900**). Ensure the Dec is trimmed equally on both sides and **no closer** than 75mm from the drain edge. Note: The Dec must only be cut to fit a wall to wall alcove installation, as shown. (**All sizes excluding 1200 x 900**).

01460 256080

www.impeyshowers.com

technical.support@impeyshowers.com

Impey, Conquest Business Park,
Cad Road, Ilton, Somerset, TA19 9EA

Coram UK Holding Ltd reserves the right to change the design or specification without prior notice.