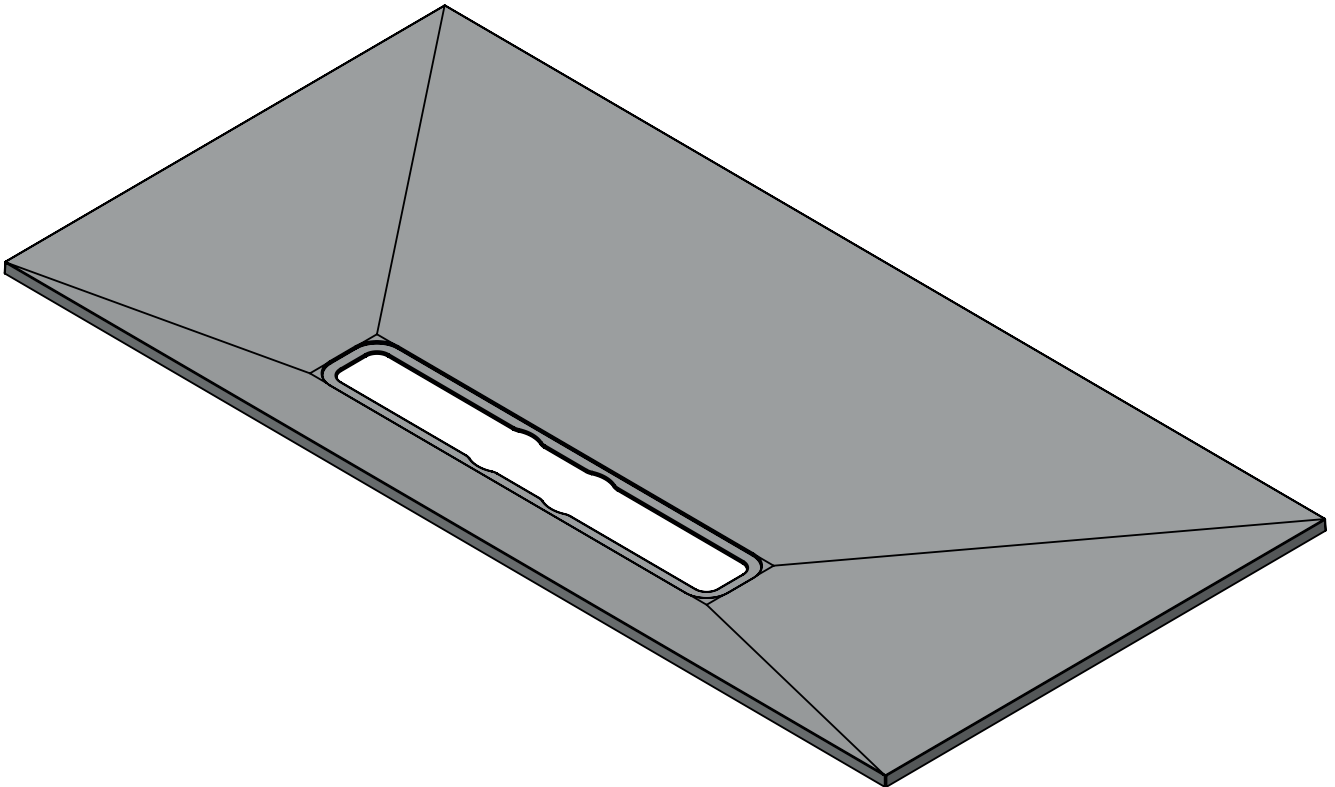


TECHNICAL DATA SHEET

AQUA-DEC LINEAR 4 4 WAY FALL



AD4L9090 - 900 x 900
AD4L1010 - 1000 x 1000
AD4L1290 - 1200 x 900
AD4L1212 - 1200 x 1200
AD4L1490 - 1400 x 900
AD4L1690 - 1600 x 900
AD4L2010 - 2000 x 1000
AD4L2012 - 2000 x 1200

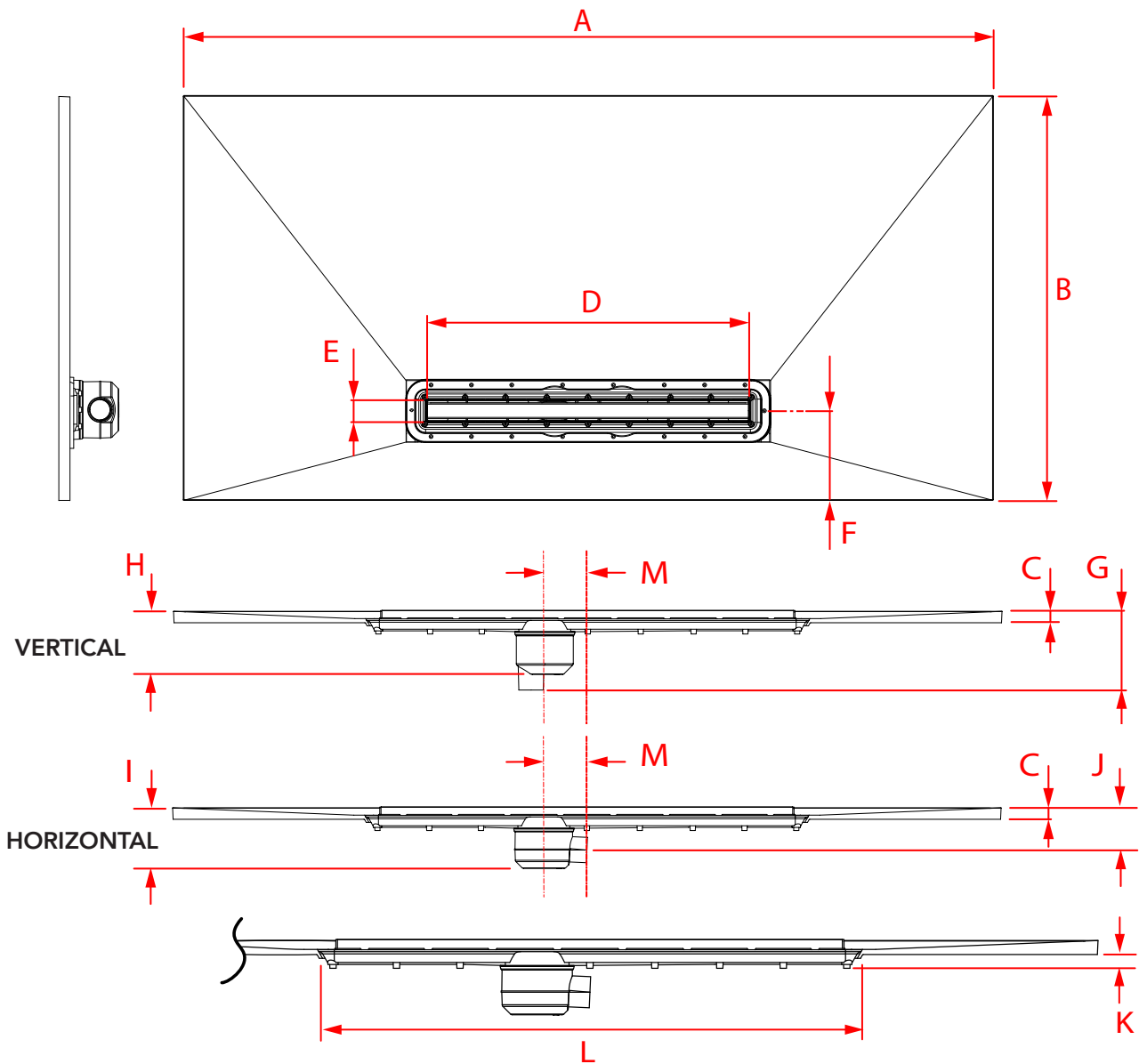
TECHNICAL DATA

THICKNESS	All 22mm in height			
HANDING	Universal (not handed)			
SIZE & WEIGHT * AVAILABLE	AD4L9090 900 x 900 18kg	AD4L1010 1000 x 1000 21kg	AD4L1290 1200 x 900 18kg	AD4L1212 1200 x 1200 31kg
	AD4L1490 1400 x 900 24kg	AD4L1690 1600 x 900 26kg	AD4L2010 2000 x 1000 44kg	AD4L2012 2000 x 1200** 55kg
TRAP SIZE	Gravity Drain - 50mm Water Seal			
WASTE OPTIONS	Horizontal 43mm Outlet or Vertical 43mm Outlet or 110mm Outlet			
FEATURES	Creates reliable and consistent gradient for the showering area on the wetroom floor. Easy to install. Easily trimmable (2000 x 1200 only, see page 5). Refer to Gravity Drain Technical Data sheet for features.			
CONSTRUCTION	Solid base;- multi layer GRP with durable polyester gel outer surface. or Rib base;- SMC composite with open structure ribs on the underside.			
INSTALLATION	Tiled floor finishes. Suitable for concrete and timber floor construction. Timber floors must be underboarded by a minimum of 18mm thickness plywood. For the guarantee to be applicable the Dec must be installed with the WaterGuard Membrane.			
SUPPLIED WITH	Linear Drain (600mm or 800mm depending on Dec size) Fixing screws, and installation guide.			
FLOW RATES	Approx 40 l/min. Test conducted on a 400mm drain with 10mm tile thickness (tested in accordance with BS 274-1 2:2002).			

* WEIGHT SHOWN IS APPROX (PACKAGED)

** DRAIN LOCATED ALONG SHORT LENGTH

LINEAR DEC 4 WAY FALL DIMENSIONS

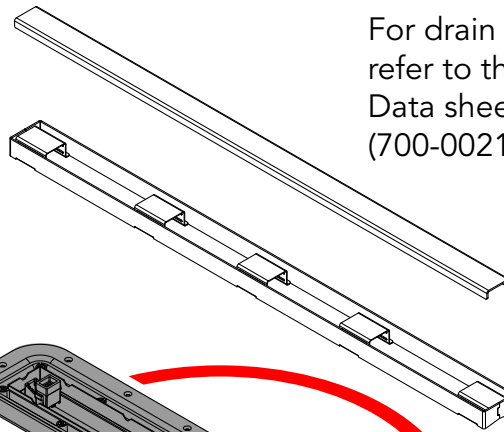


DEC	A	B	C	D	E	F	G	H	I	J	K	L	M
900 x 900	900	900	22	600	53	220	152	121	117	82	22	642	83mm symmetrical about the centre of the dec.
1000 x 1000	1000	1000	22	600	53	220	152	121	117	82	22	642	
1200 x 900	1200	900	22	800	53	220	152	121	117	82	22	842	
1200 x 1200	1200	1200	22	800	53	220	152	121	117	82	22	842	
1400 x 900	1400	900	22	800	53	220	152	121	117	82	22	842	
1600 x 900	1600	900	22	800	53	220	152	121	117	82	22	842	
2000 x 1000	2000	1000	22	800	53	220	152	121	117	82	22	842	
2000 x 1200	1200	2000	22	600**	53	220	152	121	117	82	22	642	

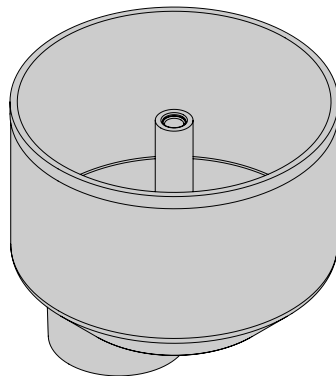
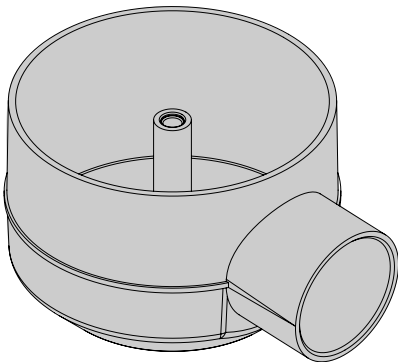
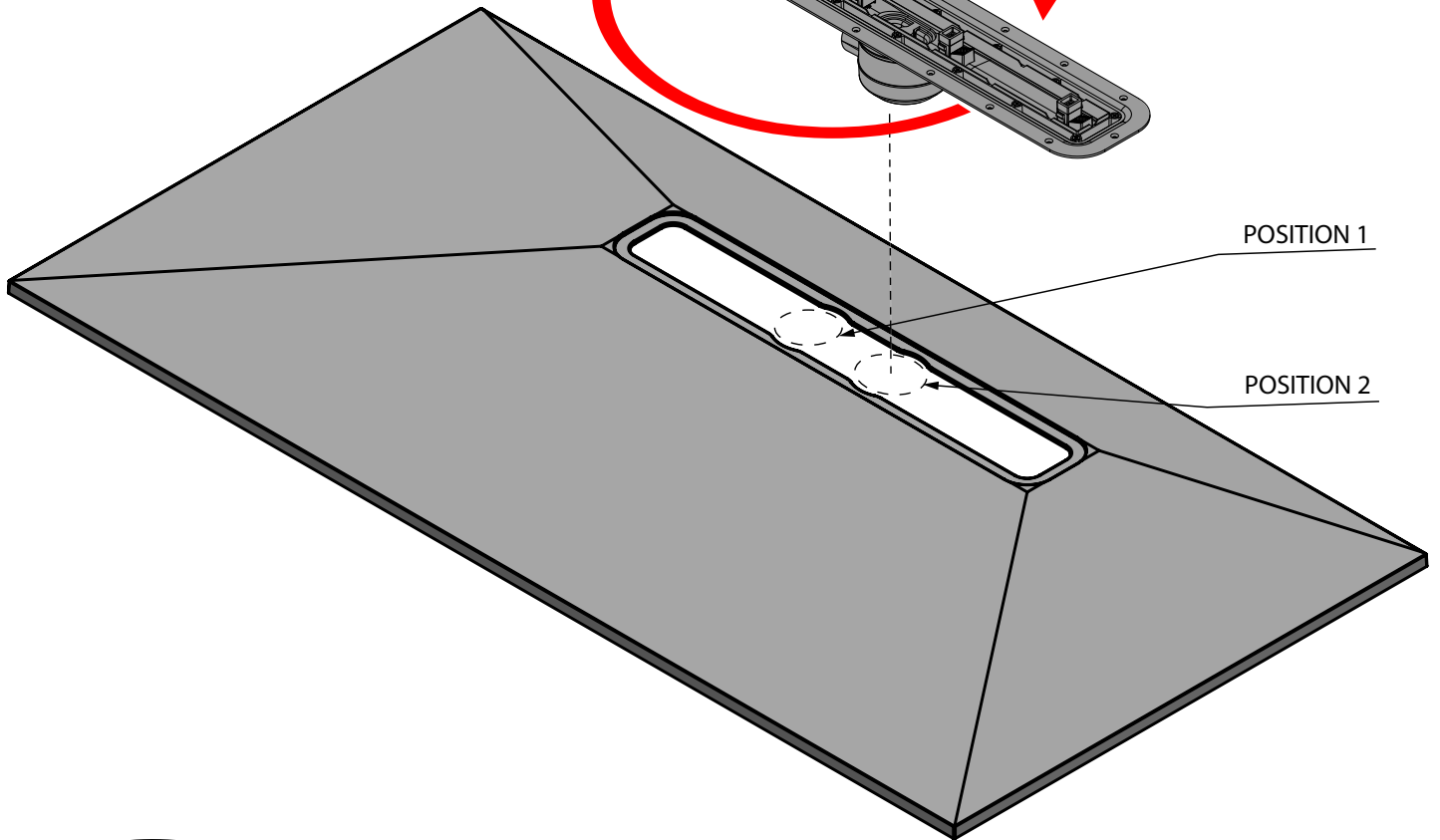
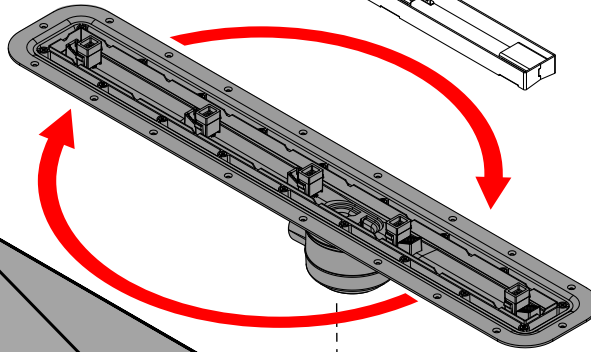
DIMENSIONS ARE IN MM.

FEATURES AND OPTIONS

The drain channel can be rotated 180° to offer two options for the waste position.



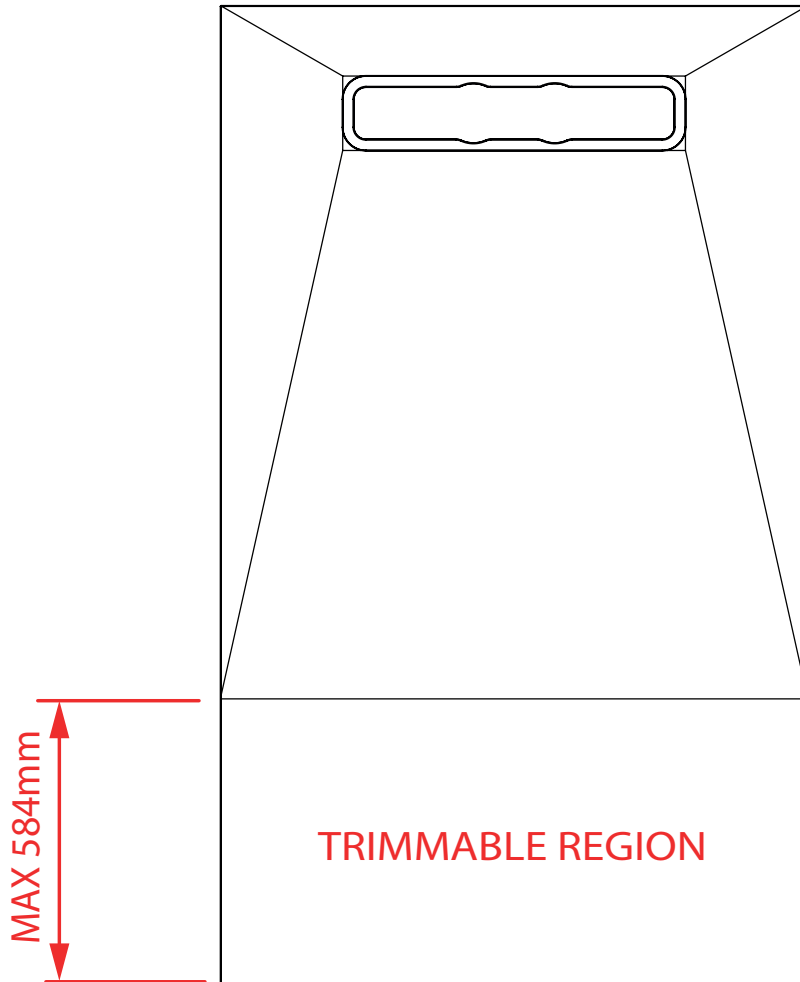
For drain top options please refer to the Linear Drain Technical Data sheet; Vertical and Horizontal (700-0021).



Choose either a gravity horizontal or vertical waste outlet. Gravity horizontal is supplied as standard.

Both wastes are fully rotatable to offer 360° waste positioning. Please refer to the Linear Drain Technical Data sheet (700-0021).

**TRIMMING:
APPLIES TO 2000 x 1200 DEC ONLY**



01460 256080

www.impeyshowers.com

technical.support@impeyshowers.com

Impey, Conquest Business Park,
Cad Road, Ilton, Somerset, TA19 9EA

Coram UK Holding Ltd reserves the right to change the design or specification without prior notice.